



US006128143A

United States Patent [19] Nalwa

[11] **Patent Number:** **6,128,143**
[45] **Date of Patent:** **Oct. 3, 2000**

[54] PANORAMIC VIEWING SYSTEM WITH SUPPORT STAND

- [75] Inventor: **Vishvjit Singh Nalwa**, Middletown, N.J.
- [73] Assignee: **Lucent Technologies Inc.**, Murray Hill, N.J.
- [21] Appl. No.: **09/141,883**
- [22] Filed: **Aug. 28, 1998**
- [51] **Int. Cl.**⁷ **G02B 13/06**; G03B 37/04; H04N 7/00
- [52] **U.S. Cl.** **359/725**; 359/363; 359/403; 353/94; 348/39
- [58] **Field of Search** 359/363–367, 359/402–406, 431, 618, 627, 629, 725–731, 831, 834–836; 348/14–15, 36, 218, 264, 39; 353/30, 37, 94, 98–99

[56] **References Cited**

U.S. PATENT DOCUMENTS

2,267,813	12/1941	Buckner	250/141
2,304,434	12/1942	Ayreo	88/24
3,144,806	8/1964	Smith	88/16.6
3,286,590	11/1966	Brueggemann	88/24
3,420,605	1/1969	Kipping	352/69
3,506,344	4/1970	Betit	352/69
3,740,469	6/1973	Herndon	178/6.8
3,998,532	12/1976	Dykes	352/69

(List continued on next page.)

FOREIGN PATENT DOCUMENTS

484801	5/1992	European Pat. Off.	.
522204	1/1993	European Pat. Off.	.
43854	11/1997	European Pat. Off.	.
1206316	2/1960	France	.
1528819	5/1968	France	.
3739697	12/1988	Germany	.
793074	2/1997	Germany	.
60-20692	2/1985	Japan	.
9214341	8/1992	WIPO	.
9325927	12/1993	WIPO	.

OTHER PUBLICATIONS

IEICE Transaction on Communications, vol. E77-B, No. 2, Feb. 1, 1994, pp. 232–238, Kazutake Uehira et al, “Seamless Image-Connection Technique for a multiple-sensor Camera”.

“Ommidirectional Imaging with Hyperboloidal Projection”, K. Yamazawa et al 1993 IEEE Intern’l conference, Yokohama, Japan, Jul. 26–30, 1993 pp. 1029–1033.

Derwent Publication on DE-3930-774-A, “Projector for video colour picture”. Apr., 1991.

“Panoramic Optics Give U.S. Tankers A better than Birdseye View.” D. Rees and H. Lisc. Industrial Photography, Apr., 1963, pp. 36–37 and 69.

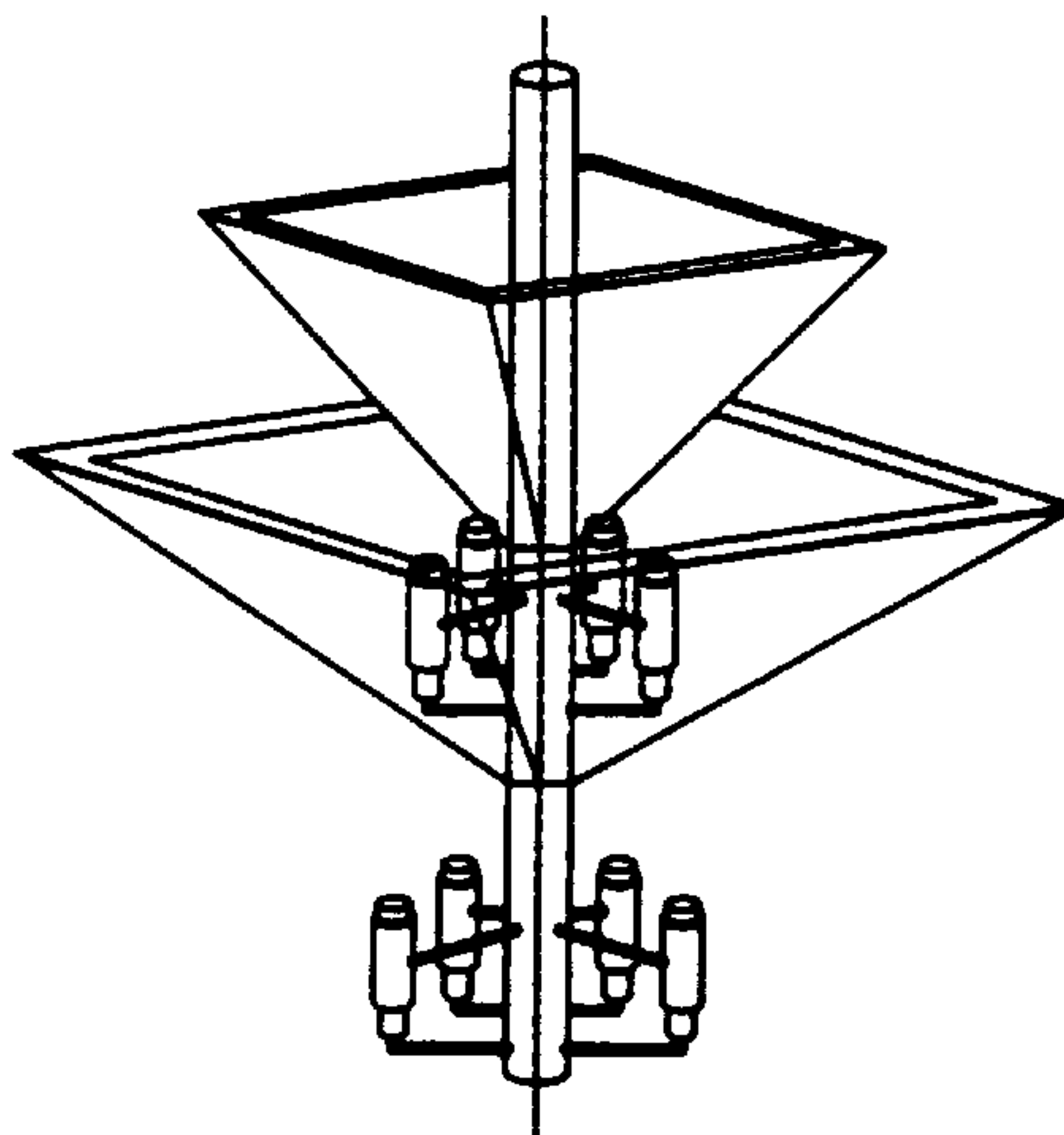
Starchild: Galaxies, XP002124075, Nov. 1999.

Primary Examiner—Thong Nguyen
Attorney, Agent, or Firm—Christopher N. Malvone

[57] **ABSTRACT**

A compact high resolution omnidirectional or panoramic viewer has several cameras with a common virtual optical center. The field of view of each of the cameras is arranged to form a continuous 360 degree view of an area when taken as a whole. The cameras are positioned so that they each views a different reflective surface of a polyhedron such as a pyramid. This results in each camera having a virtual optical center positioned within the pyramid. The cameras may be positioned so that their virtual optical centers are offset from each other. The offsets produce narrow blind regions that remove image distortions received from the edges of the pyramid’s reflective surfaces. The reflective pyramids may be stacked base to base or nested within each other to produce a more compact panoramic viewer. Using two or more reflective pyramids in such close proximity permits using many cameras with the same virtual optical center. Using many cameras divides a large viewing area into many smaller areas where an individual camera views each smaller area. Since each camera views a smaller area, increased resolution is provided to the user. The pyramids are mounted to a post that passes through their vertices, and the cameras are secured to the portion of the post extending out of the vertices.

18 Claims, 12 Drawing Sheets



U.S. PATENT DOCUMENTS					
4,078,860	3/1978	Globus 352/69	5,187,571	2/1993	Bruan et al. 358/85
4,355,328	10/1982	Kulik 358/87	5,194,959	3/1993	Kaneko et al. 250/226
4,357,081	11/1982	Moddemeijer 352/69	5,236,199	8/1993	Thompson, Jr. 273/439
4,429,957	2/1984	King 359/226	5,245,175	9/1993	Inabata 359/834
4,589,030	5/1986	Kley 358/225	5,264,881	11/1993	Brooke 353/94
4,859,046	8/1989	Traijnor et al. 359/725	5,264,945	11/1993	Kannegundla et al. 358/444
4,890,314	12/1989	Judd et al. 348/14	5,305,029	4/1994	Yoshida et al. 353/37
4,982,092	1/1991	Johle 352/69	5,452,135	9/1995	Maki et al. 359/833
4,985,762	1/1991	Smith 358/87	5,495,576	2/1996	Ritchey 395/125
5,016,109	5/1991	Gaylord 348/218	5,526,133	6/1996	Paff 358/335
5,023,725	6/1991	McCutchen 359/363	5,539,483	7/1996	Nalwa 353/94
5,030,823	7/1991	Obdeijn 250/223 B	5,619,255	4/1997	Booth 348/36
5,040,055	8/1991	Smith 358/87	5,684,626	11/1997	Greenberg 359/388
5,130,794	7/1992	Ritchey 348/383	5,708,469	1/1998	Herzberg 348/39
5,179,440	1/1993	Loban et al. 358/87	5,745,305	4/1998	Nalwa 359/725

FIG. 3

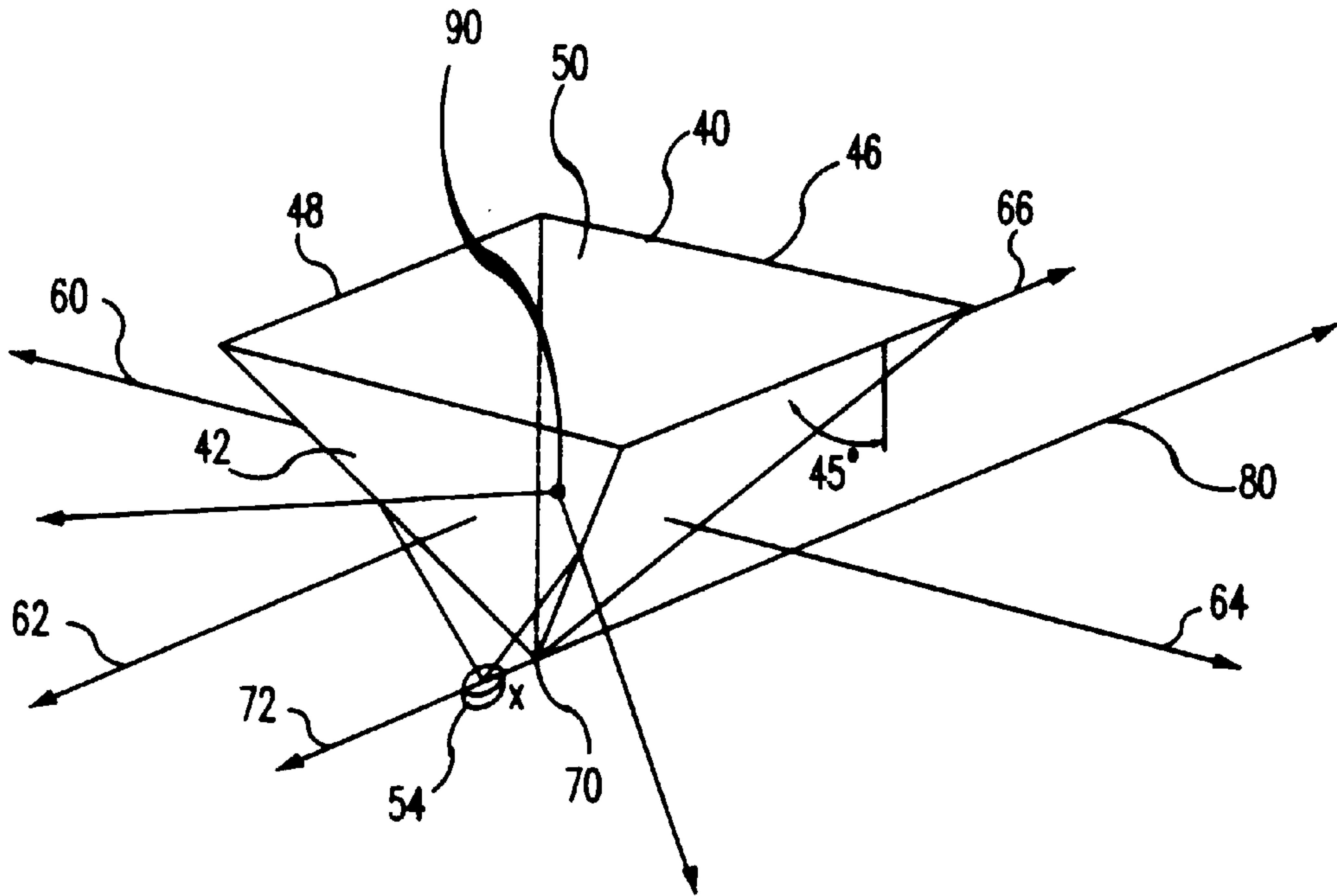


FIG. 4

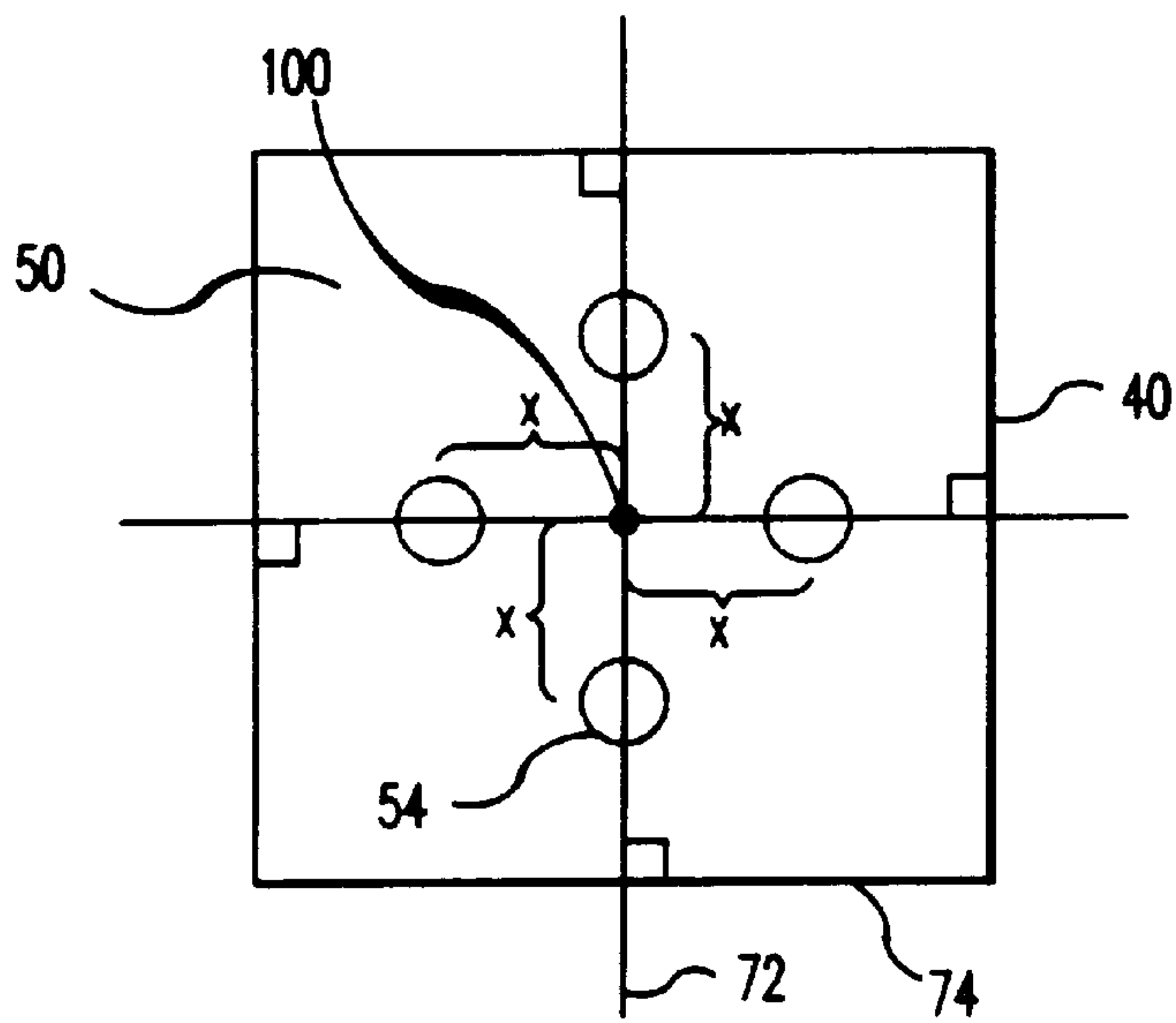


FIG. 5

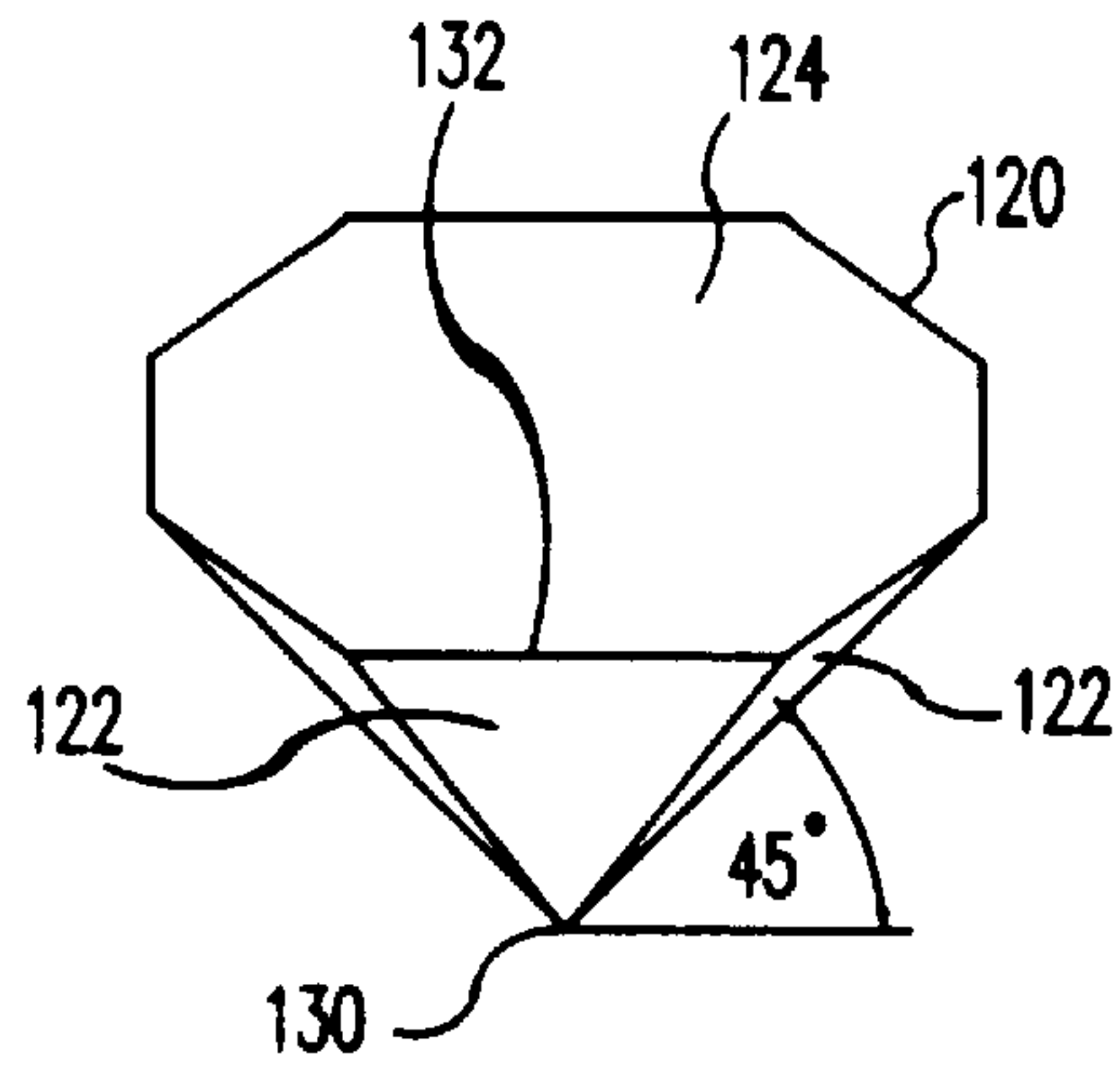


FIG. 6

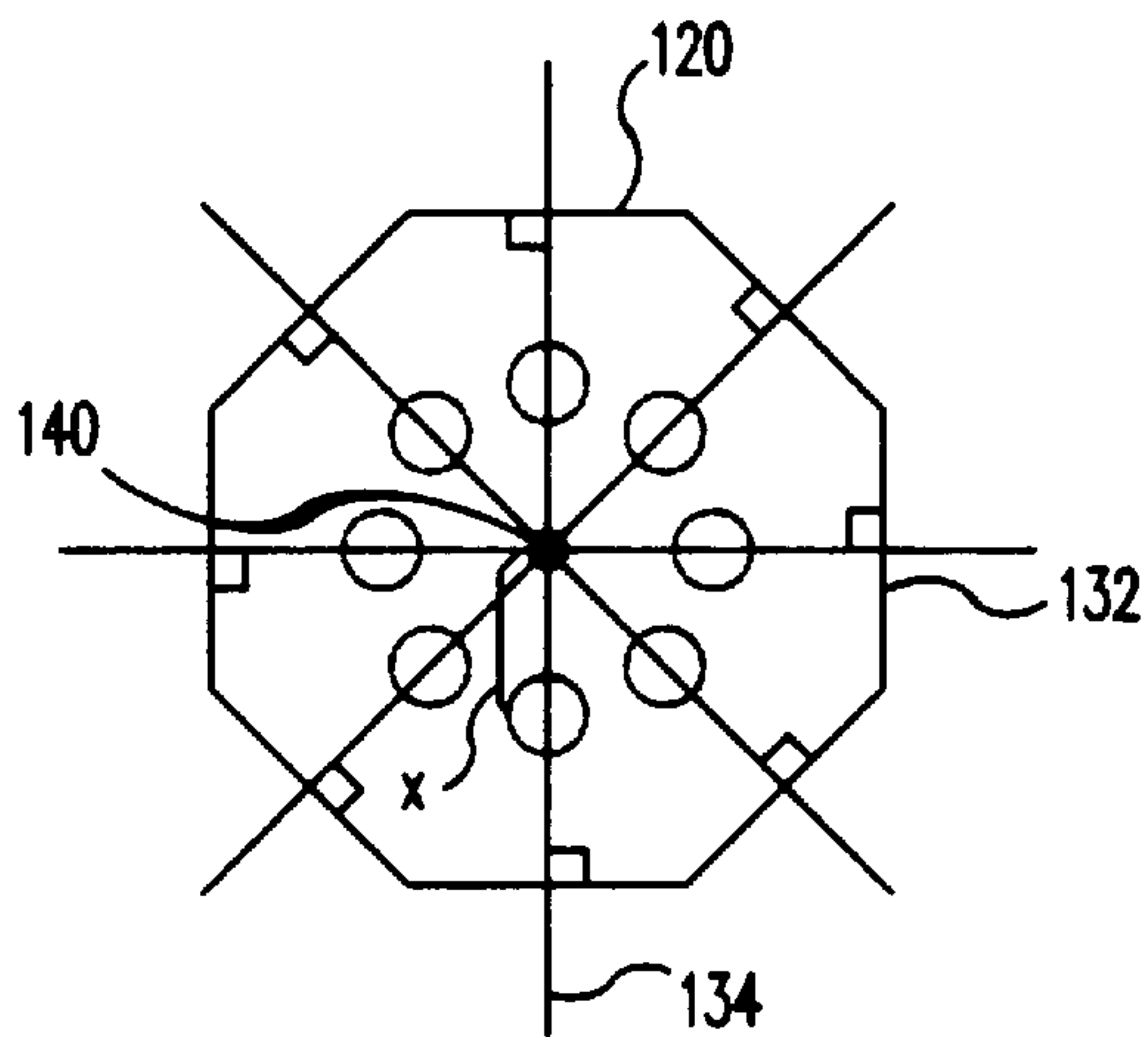


FIG. 7

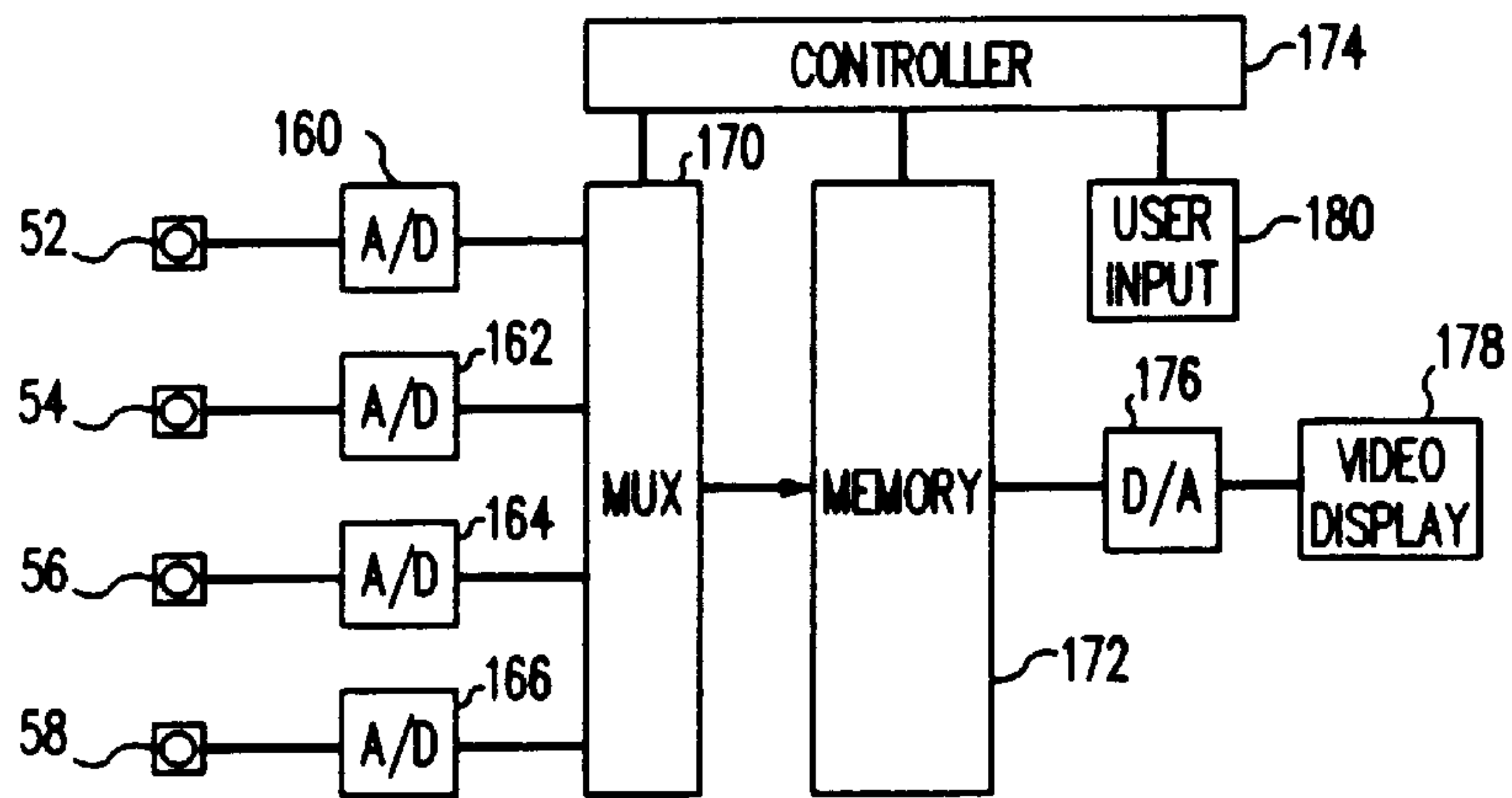


FIG. 8

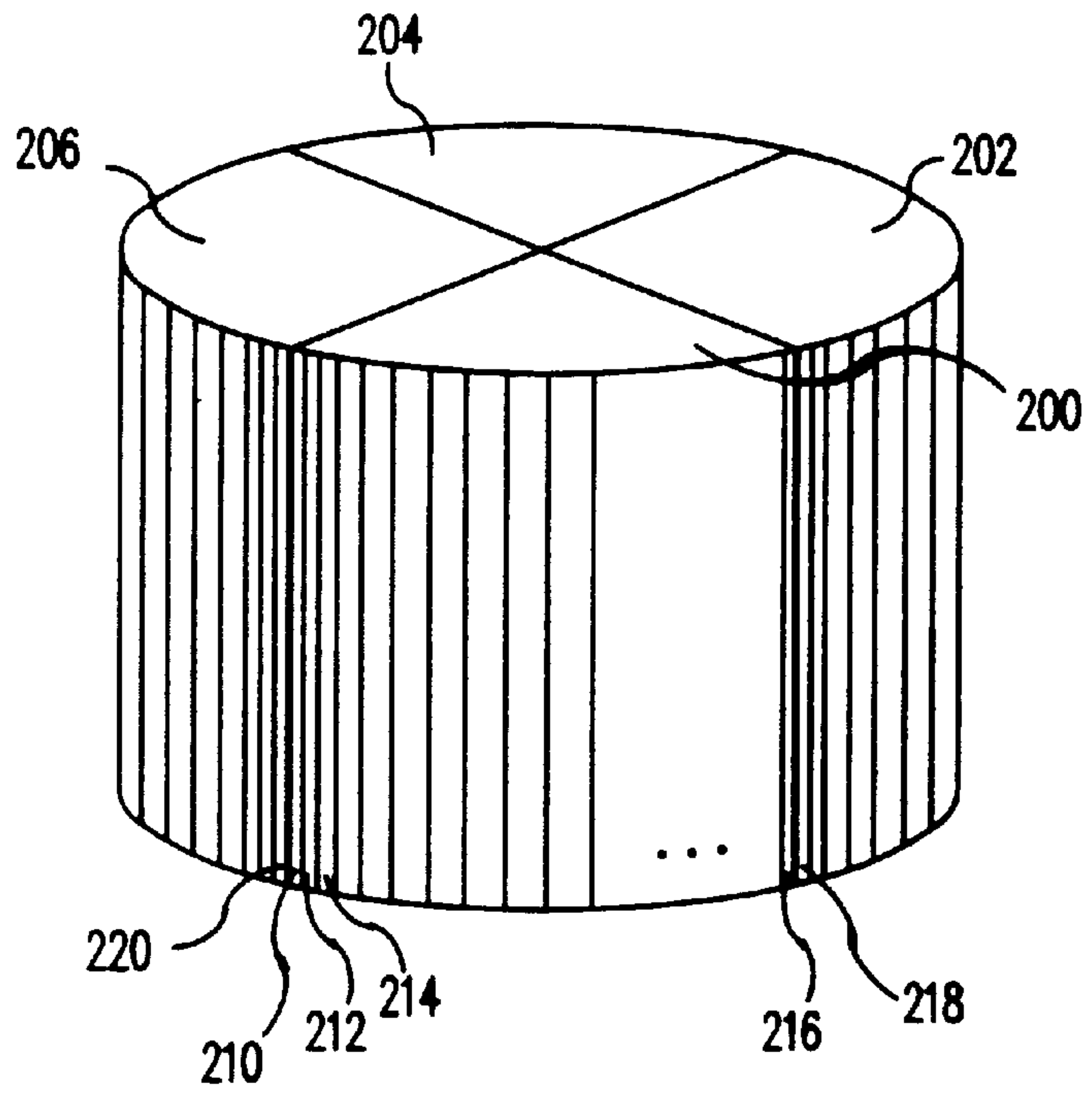


FIG. 9

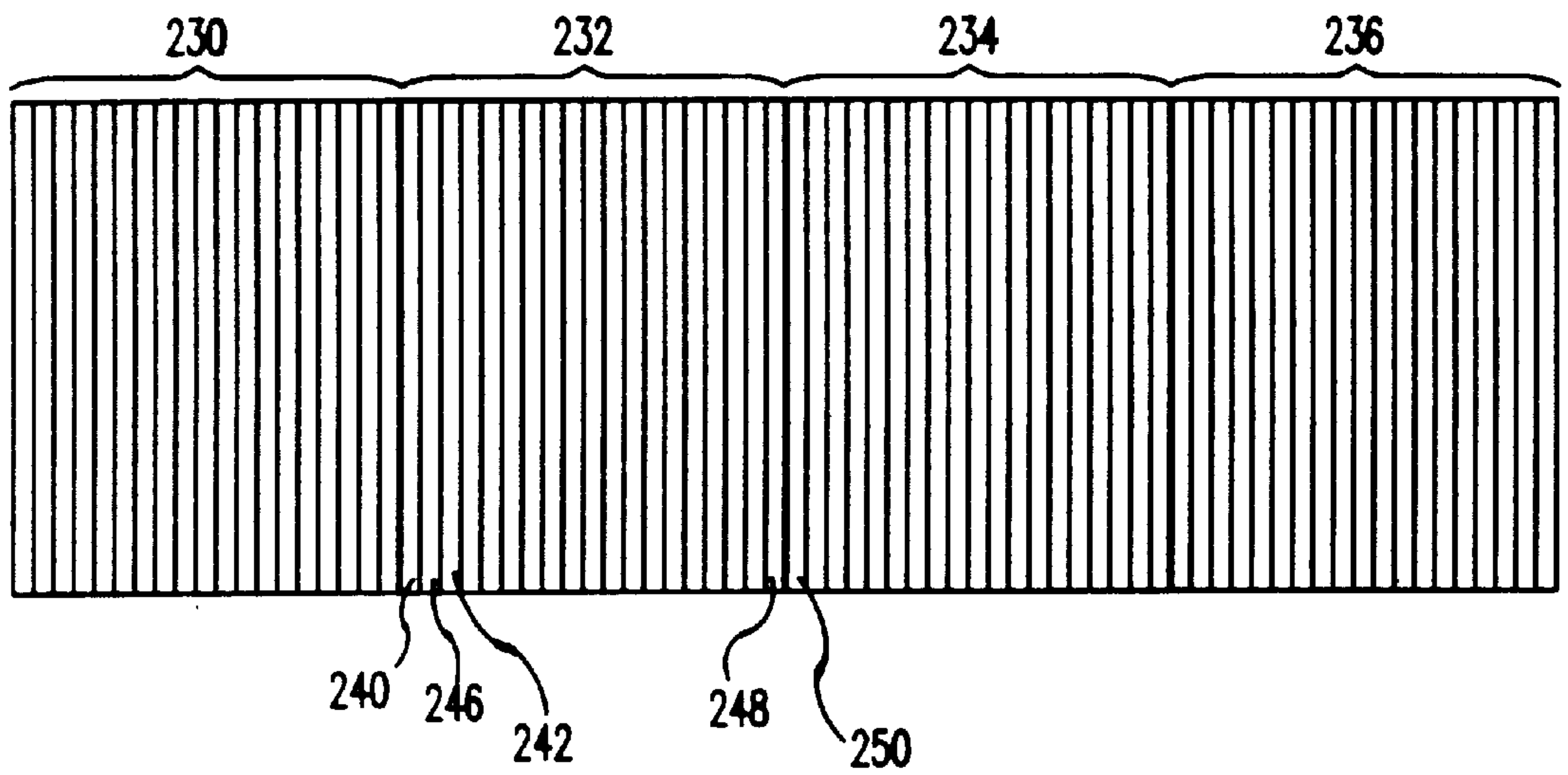


FIG. 10

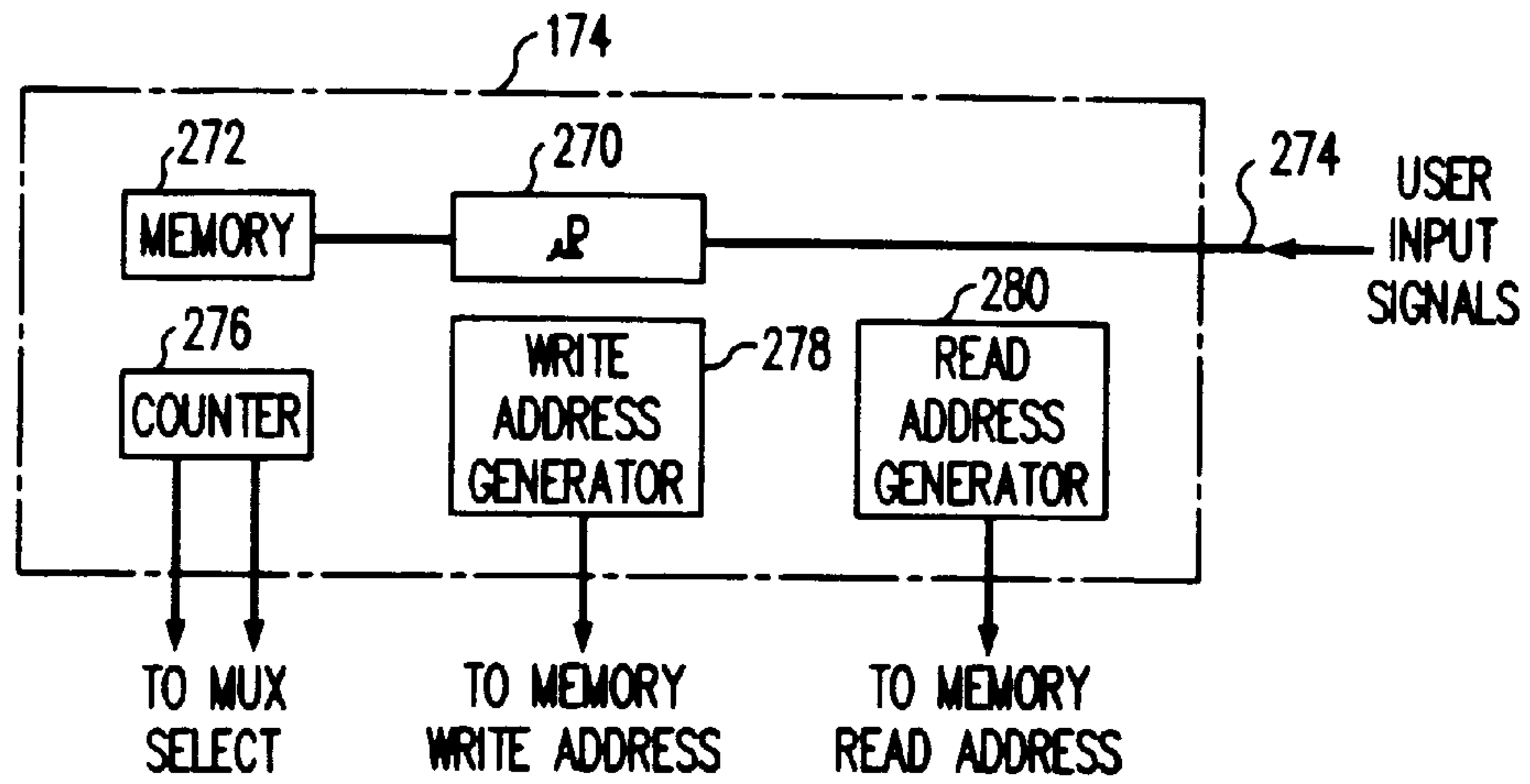


FIG. 11

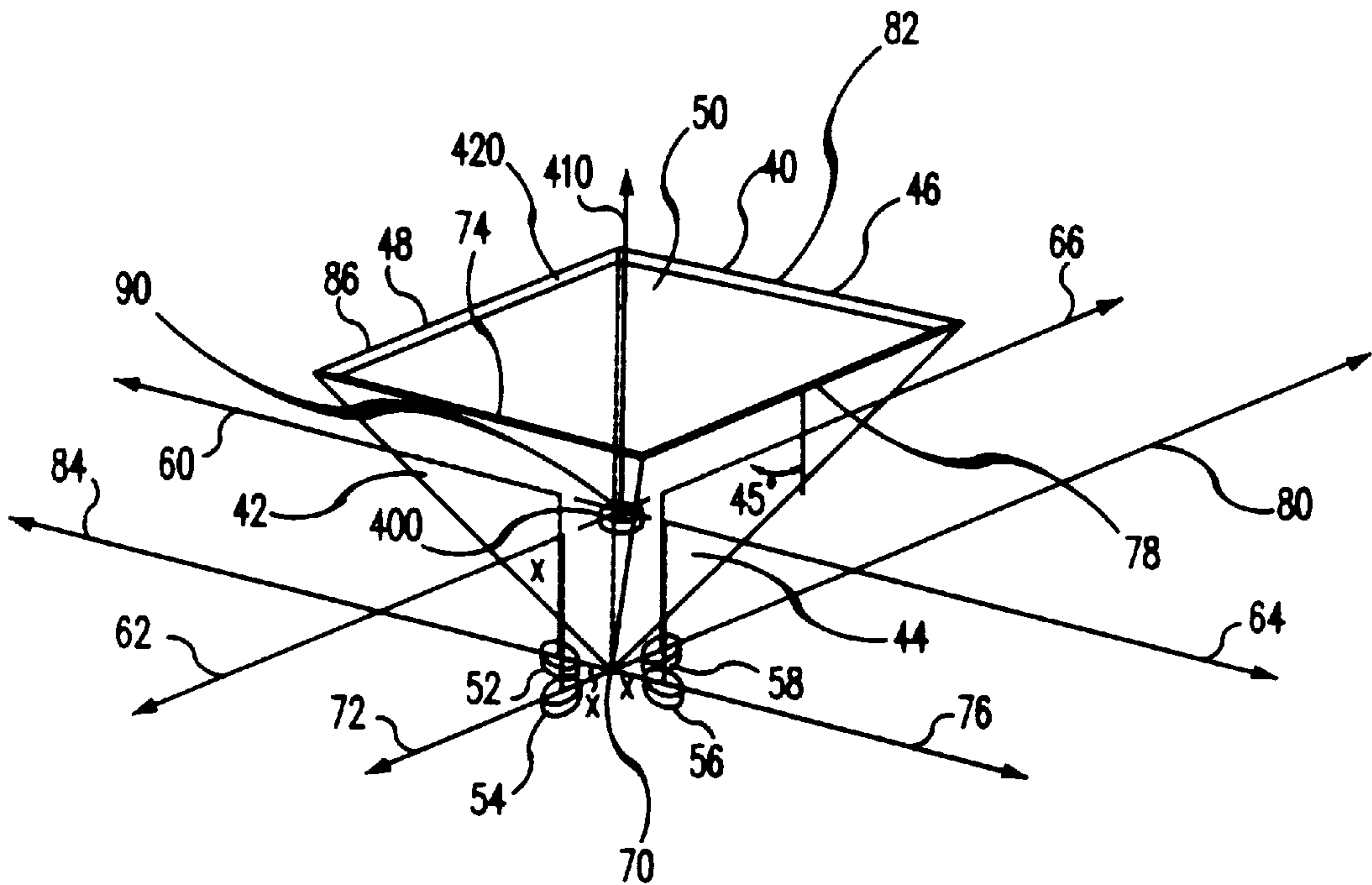


FIG. 12

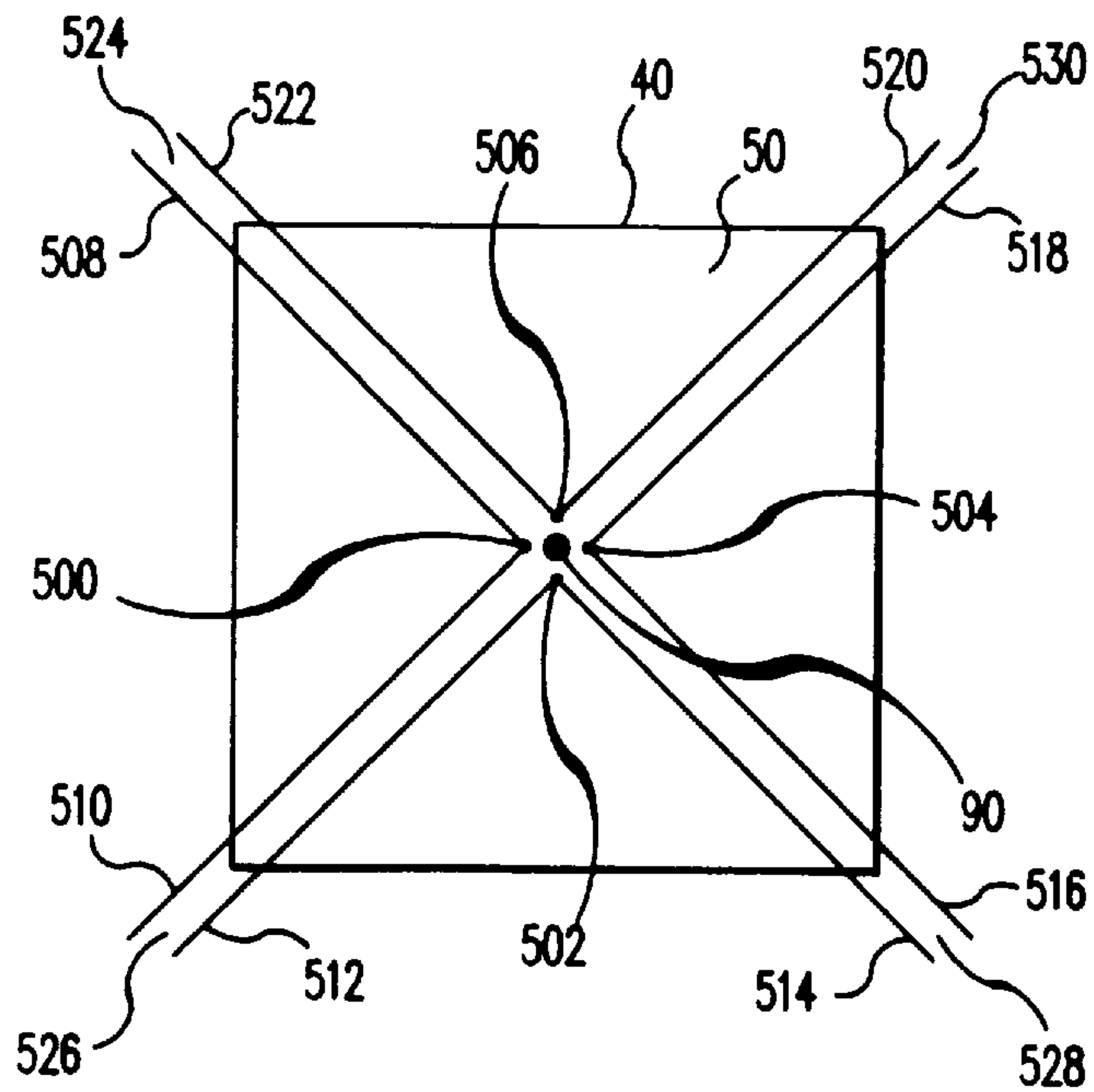


FIG. 13

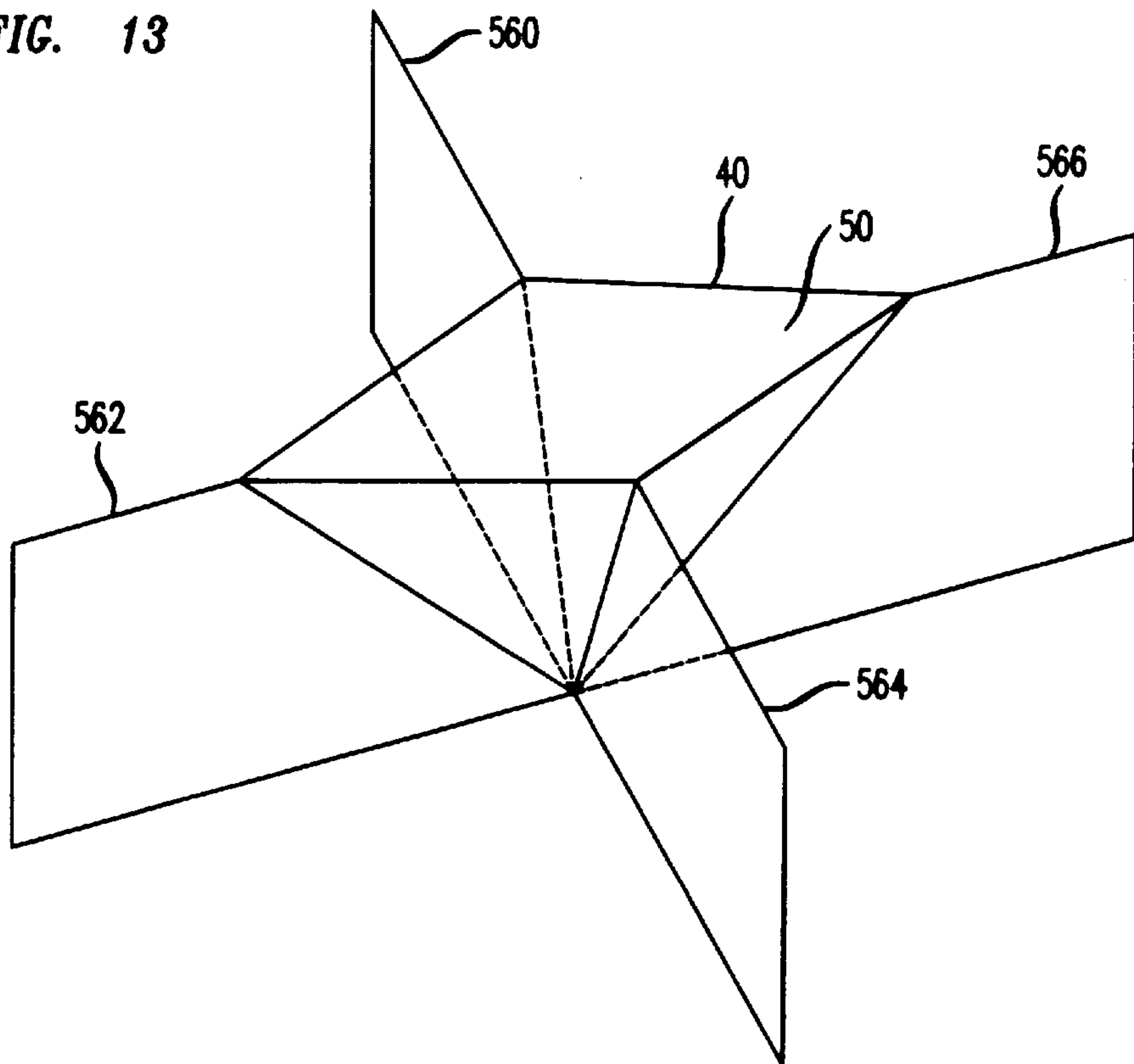


FIG. 16

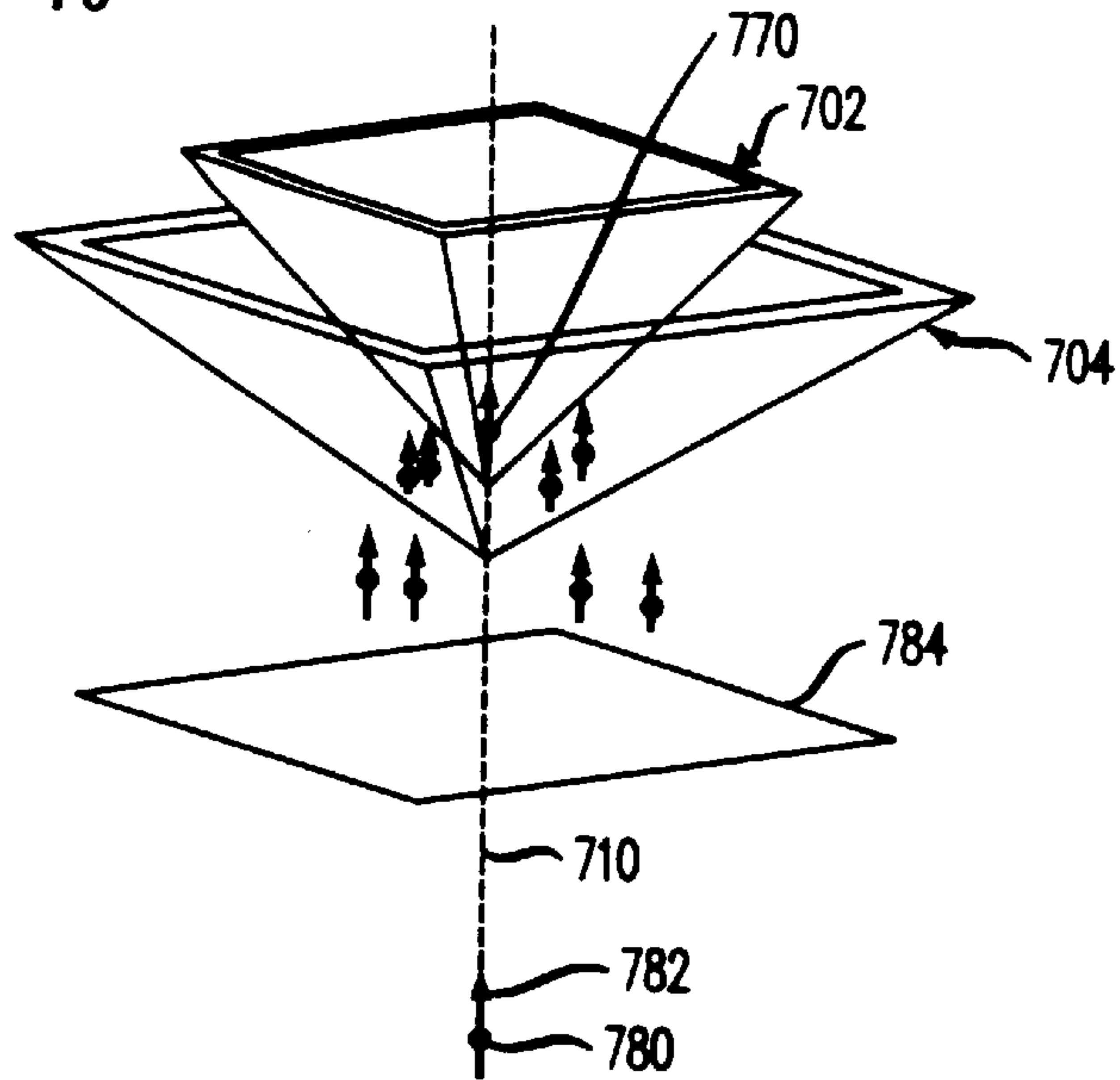


FIG. 17

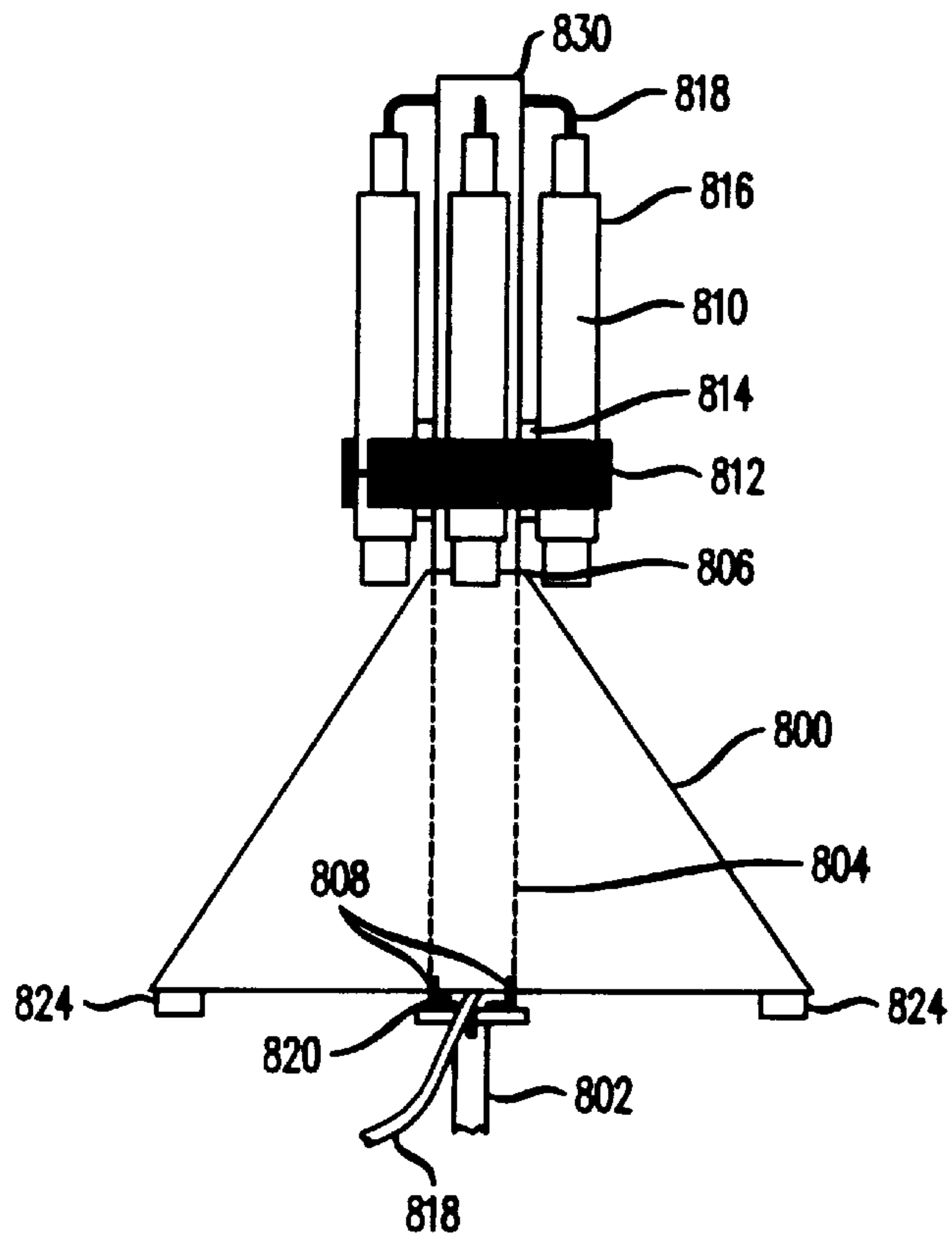


FIG. 18

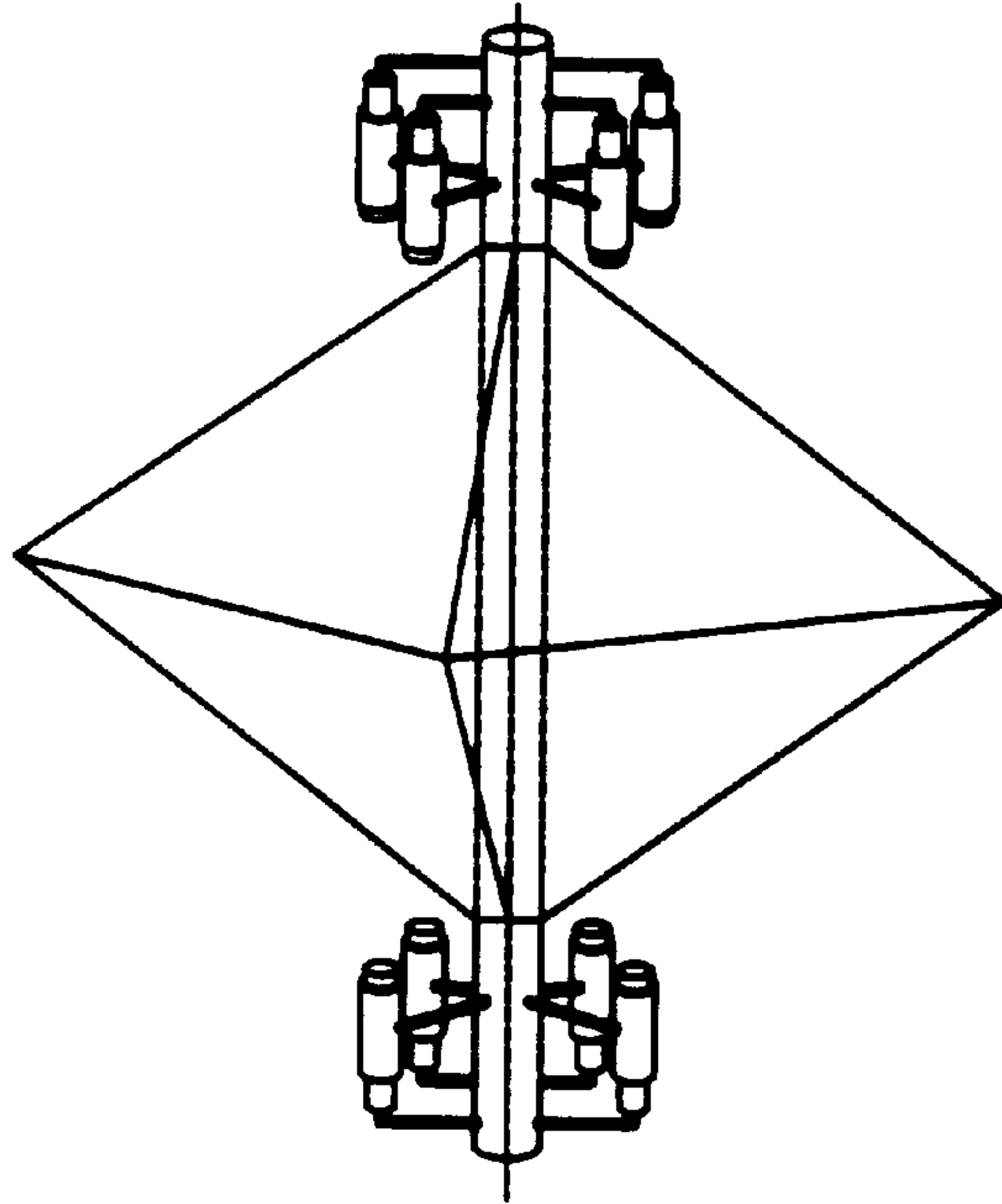


FIG. 19

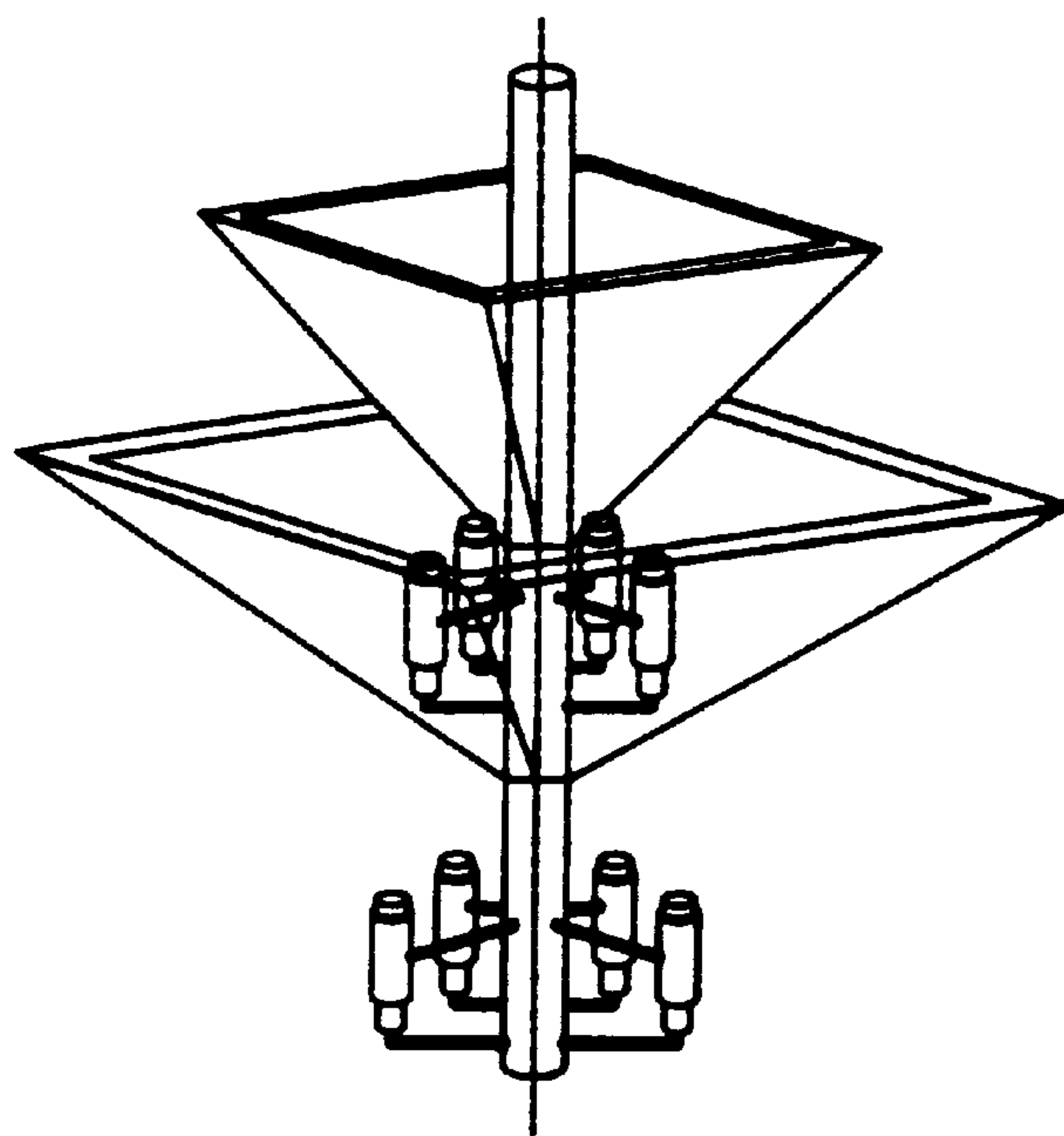


FIG. 20

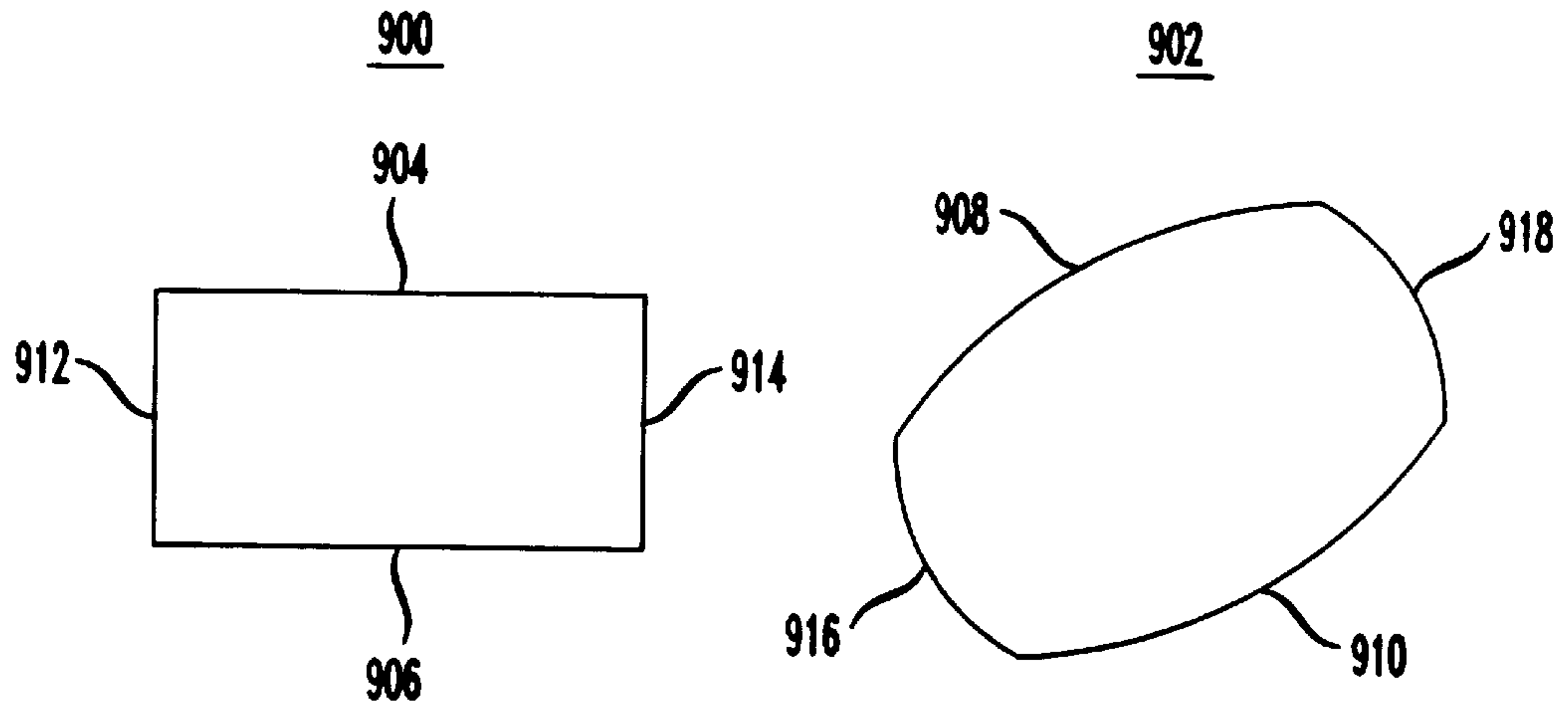


FIG. 21

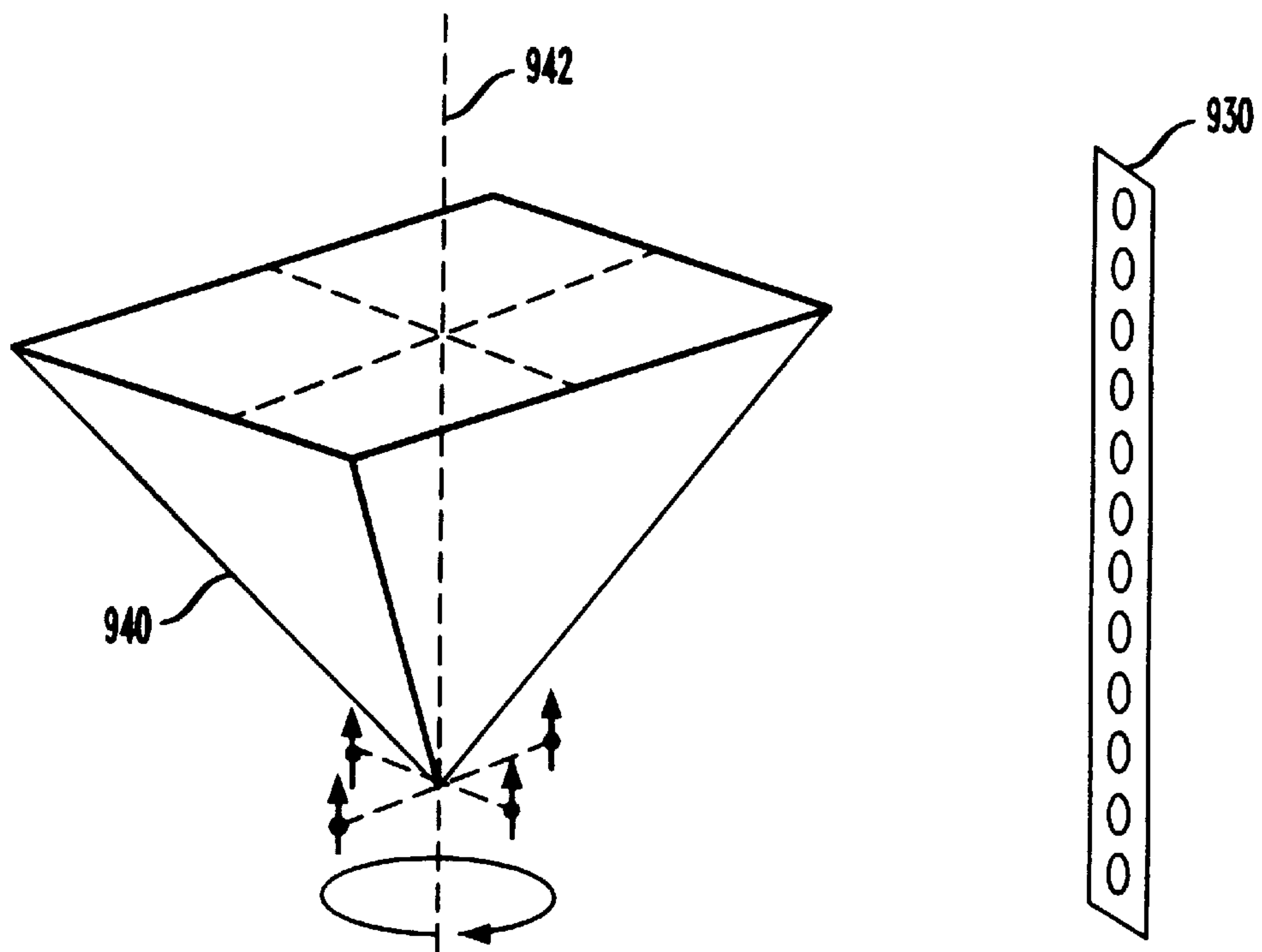


FIG. 22

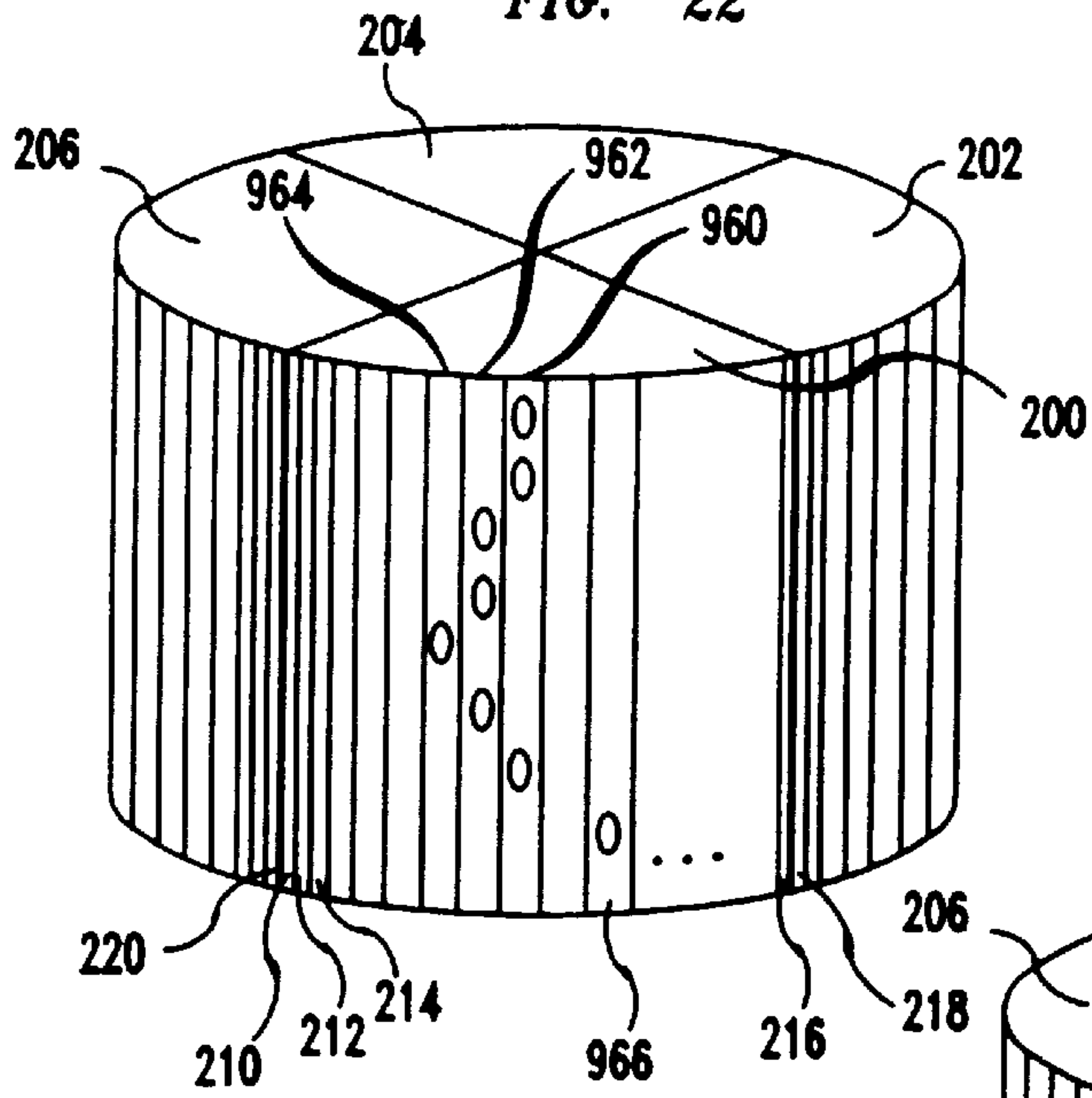


FIG. 24

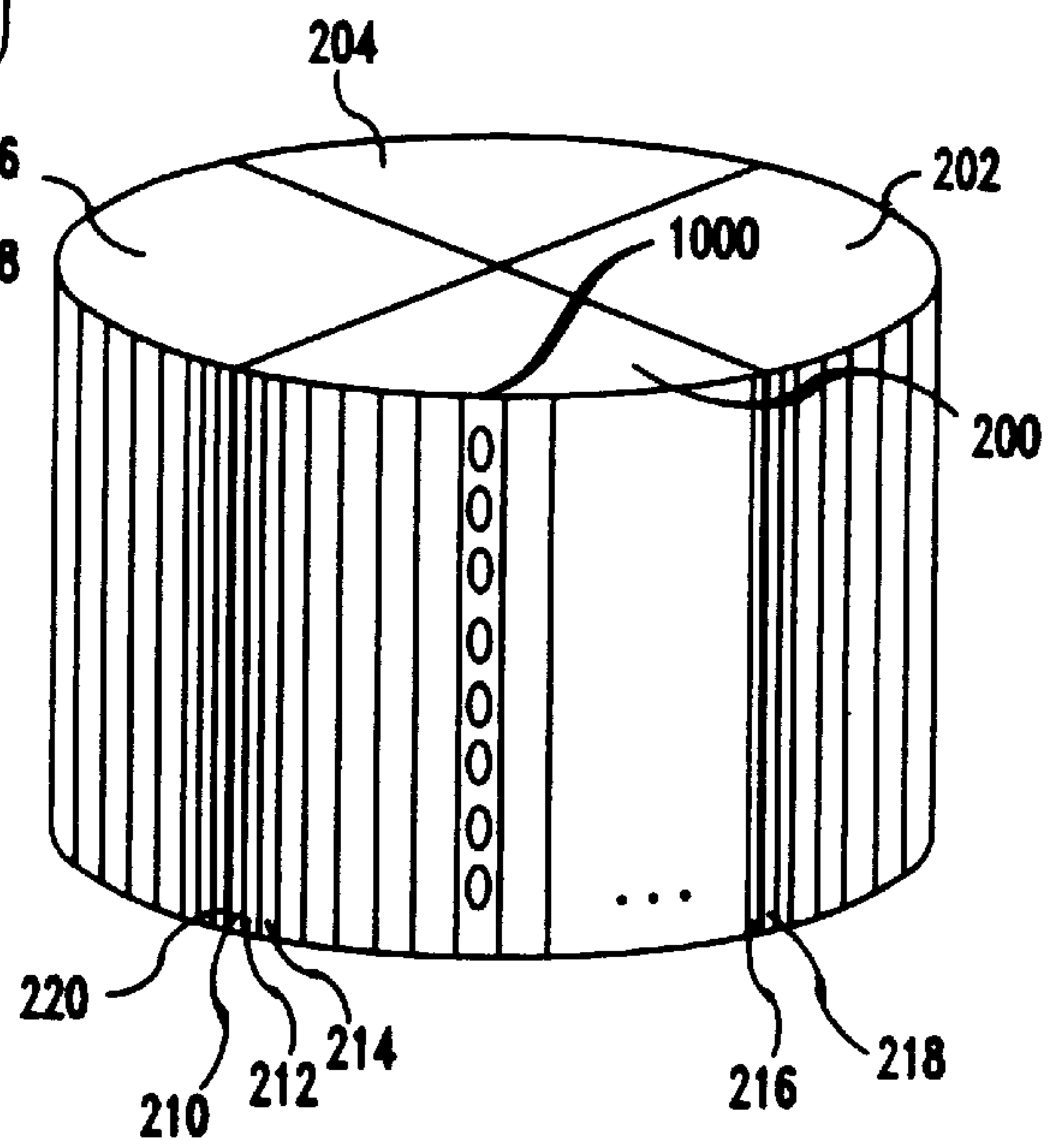


FIG. 23

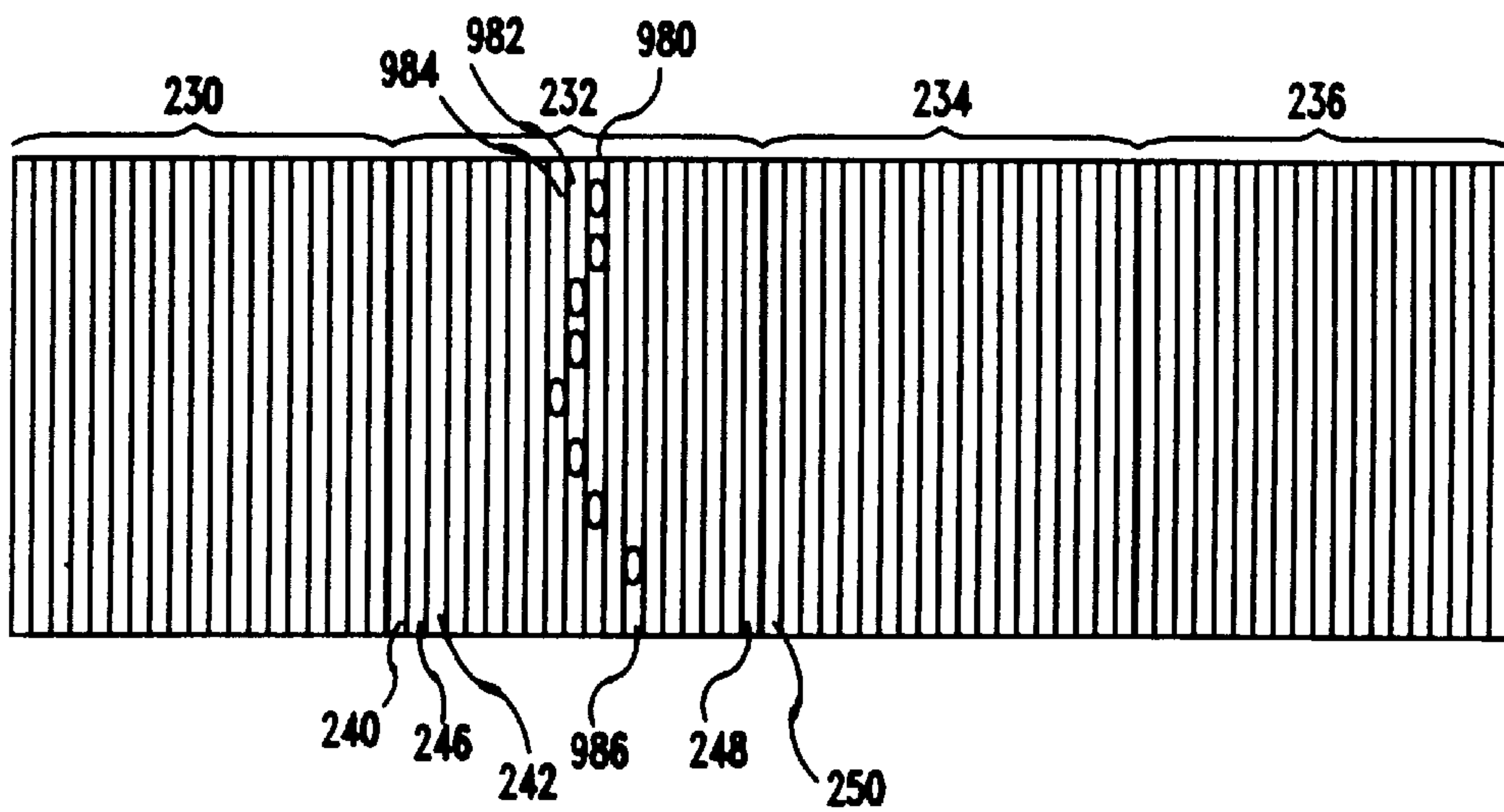
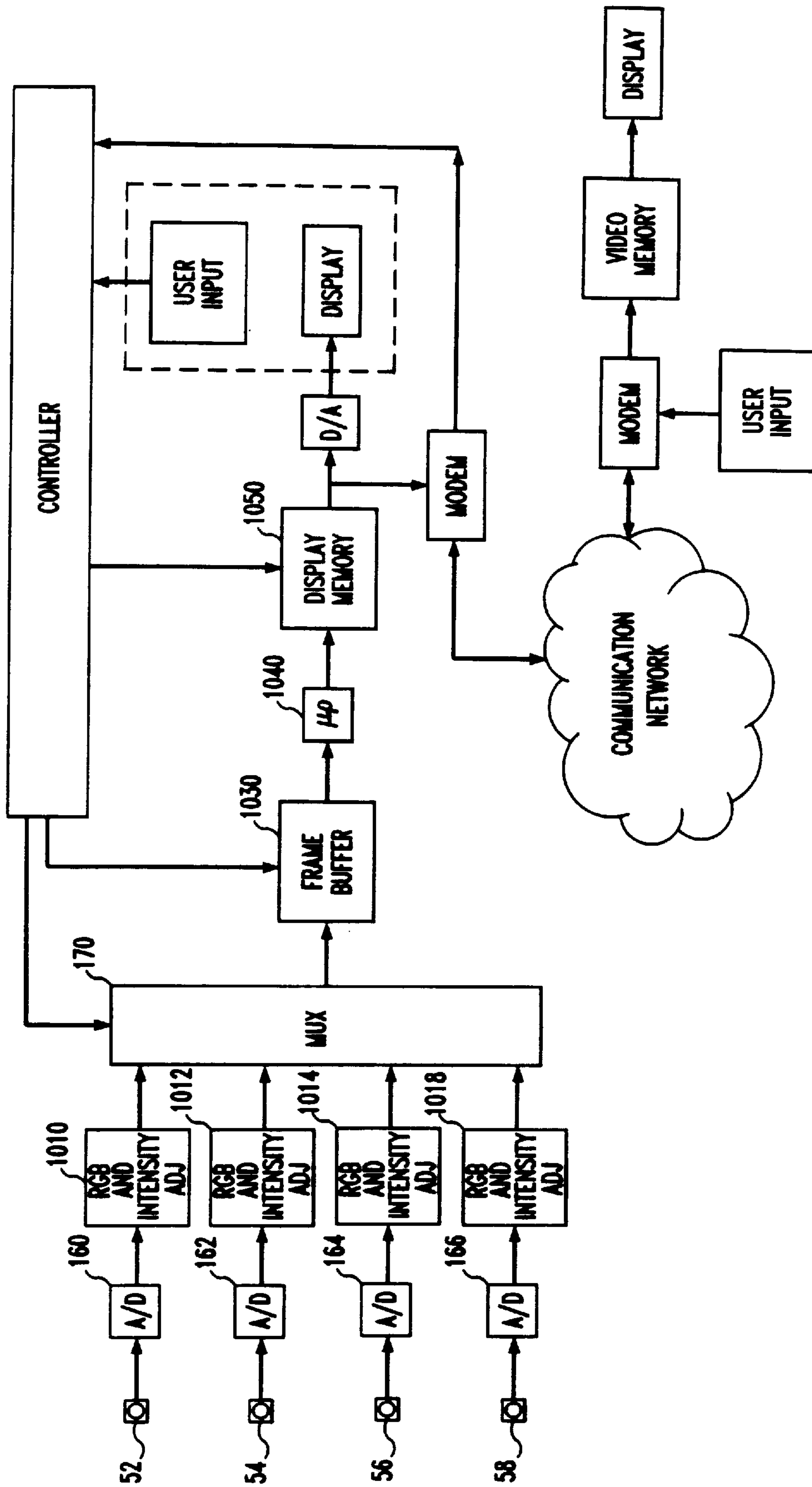


FIG. 25



PANORAMIC VIEWING SYSTEM WITH SUPPORT STAND

CROSS REFERENCE TO RELATED INVENTIONS

This application is related to the following commonly assigned US Patent Applications: "Panoramic Viewing Apparatus", Ser. No. 08/431,356 which issued as U.S. Pat. No. 5,745,305; "Method And System For Panoramic Viewing", filed Apr. 28, 1995, Ser. No. 08/43135; "High Resolution Viewing System", Ser. No. 08/497673, which issued as U.S. Pat. No. 5,793,527; "Panoramic Projection Apparatus", Ser. No. 08/497341, which issued as U.S. Pat. No. 5,539,483; "Spherical Viewing/Projection Apparatus", filed Nov. 30, 1995, Ser. No. 08/565501; "Panoramic Viewing System With Offset Virtual Optical Center", filed Oct. 7, 1997, Ser. No. 08/946443; commonly assigned and concurrently filed US Patent Application entitled "Compact High Resolution Panoramic Viewing System"; and commonly assigned and concurrently filed US Patent Application entitled "Stereo Panoramic Viewing System", filed Aug. 28, 1998, Ser. No. 09/141,867.

BACKGROUND OF THE INVENTION

1. Field of the Invention

The present invention relates to a viewing system; more particularly, a panoramic viewing system.

2. Description of the Related Art

In an effort to operate more efficiently, it is desirable to perform some tasks using telepresence. Telepresence refers to providing visual or other types of sensory information from a device at a remote site to a user that makes the user feel as if he/she is present at the remote site. For example, many businesses now hold meetings using telepresence. Telepresence is also useful for distance learning and remote viewing of events such as concerts and sporting events. A more realistic telepresence is provided to a user by providing the user with the capability to switch between views, and thereby mimic, for example, looking around a meeting room.

In the past, when several views were made available to a user, several cameras with different optical centers were used. Such a situation is illustrated in FIG. 1. FIG. 1 illustrates cameras 2, 4, 6, and 8 with optical centers 10, 12, 14, and 16, respectively. When the user decided to change views, he or she simply switched between cameras. In more sophisticated systems, when a user decided to change views, he or she was able to obtain a view from optical centers 10, 12, 14, or 16 as well as from additional optical centers 18, 20, 22, 24, or 26. Views associated with optical centers such as 18, 20, 22, 24, and 26 were obtained by using views from the two cameras nearest to the selected optical center. For example, a view from optical center 18 was obtained by using the views from cameras 2 and 4 and interpolating between the two views so as to simulate a view from optical center 18. Such procedures introduced irregularities into views. In addition, forming these interpolated views required a large amount of computational power and time, and thereby made this technique expensive and slow to respond to a user's commands. This computational overhead also limited the number of users that could simultaneously use the system.

SUMMARY OF THE INVENTION

One embodiment of the present invention provides an omnidirectional or panoramic viewer in which multiple

cameras effectively have a common optical center at least one of these cameras having its field of view redirected by a planar mirror. The field of view of each of the cameras is arranged to form a continuous 360 degree view of an area when taken as a whole. The user can sweep through 360 degrees of viewing, where each view has the same or nearly the same optical center, by simply using the output of one camera, more than one or the combination of cameras without requiring the computational overhead of interpolation used in the prior art. Such an arrangement may be used to enhance use of virtual meeting rooms by allowing a viewer to see the meeting room in a more natural format. This format corresponds closely to a person sitting in the actual meeting who simply turns his or her head to change the view at a particular time.

In another embodiment of the invention, the cameras are positioned so that they each views a different reflective surface of a solid or hollow polyhedron such as a solid or hollow pyramid. This results in each camera having a virtual optical center positioned within the pyramid. The cameras are positioned so that their virtual optical centers are offset from each other. The offsets produce narrow blind regions that remove image distortions received from the edges of the pyramid's reflective surfaces. A pyramid is supported by a post that passes through the vertex of the pyramid. Small cameras are then mounted to the post to provide a panoramic viewer with a mounting structure and a structure for supporting individual cameras.

In still another embodiment of the invention, a stereo panoramic view is provided through the use of multiple virtual optical centers. A reflective polyhedral element, such as a pyramid, redirects the field of view of each camera in a first set of cameras to form a group of substantially co-located virtual optical centers at a first location within the pyramid. The pyramid also redirects the field of view of each camera in a second set of cameras to form a group of substantially co-located virtual optical centers at a second location within the pyramid. Panoramic images from the first and second virtual optical centers provide a stereo panoramic view when one panoramic image is provided to a user's left eye and the other panoramic image is provided to the user's right eye.

In yet another embodiment of the present invention, polyhedrons such as pyramids having reflective surfaces are stacked base to base or nested within each other to produce a compact panoramic viewer. Using multiple reflective polyhedrons in such a manner permits using many cameras with the same or nearly the same virtual optical center. Using many cameras divides a large viewing area into many smaller areas where an individual camera views each smaller area. Since each camera views a smaller area, increased resolution is provided to the user. The pyramids are supported by a post that passes through their vertices. Cameras are then mounted to the post to provide a panoramic viewer with a mounting structure and a structure for supporting individual cameras.

In yet another embodiment of the present invention, the viewing device may include any type of image processing device. If the image processing device is a camera or other type of image capture device, a panoramic image is captured for the user, and if the image processing device is a projector or other type of image producing device, a panoramic image is produced for the user.

BRIEF DESCRIPTION OF THE DRAWING

FIG. 1 illustrates a prior art multiple camera viewing system;

FIG. 2 illustrates a four camera omnidirectional or panoramic viewing system using a four-sided pyramid with reflective surfaces;

FIG. 3 illustrates how a reflective surface of the pyramid is used to provide each camera with a common optical center;

FIG. 4 illustrates the top view of the pyramid illustrating the camera positions;

FIG. 5 illustrates an eight-sided pyramid with reflective side surfaces;

FIG. 6 is a top view of the pyramid of FIG. 5;

FIG. 7 is a block diagram of a system to control data produced by the cameras;

FIG. 8 illustrates the association between the data received from the cameras and the view presented to a user;

FIG. 9 illustrates an addressing scheme for the memory of FIG. 7;

FIG. 10 is a block diagram of the controller of FIG. 7;

FIG. 11 illustrates the viewing system of FIG. 2 with a fifth camera;

FIG. 12 illustrates a top view of the pyramid of FIG. 2 with displaced virtual optical centers;

FIG. 13 illustrates the pyramid of FIG. 12 with shades positioned in blind regions;

FIG. 14 illustrates a panoramic viewer using pyramids stacked base to base;

FIG. 15 illustrates a panoramic viewer using nested pyramids;

FIG. 16 illustrates a spherical viewer using nested pyramids;

FIG. 17 illustrates a stand used to support a panoramic;

FIG. 18 illustrates the viewer of FIG. 14 with a support stand;

FIG. 19 illustrates the view of FIG. 15 with a support stand;

FIG. 20 illustrate two types of distortion;

FIG. 21 illustrates a calibration process;

FIG. 22 illustrates the association between data received from the cameras and the view presented to the user with distortion;

FIG. 23 illustrates how distorted image data is stored;

FIG. 24 illustrates how mapped image data is stored; and

FIG. 25 is a block diagram of a panoramic camera system where image mapping is used.

DESCRIPTION OF THE PREFERRED EMBODIMENT

FIG. 2 illustrates a four camera system for providing a 360 degree view to a user, where the cameras each have a common or nearly common virtual optical center within the pyramid. Pyramid 40 has reflective sides 42, 44, 46, and 48 and may be a hollow, solid or truncated structure. In a preferred embodiment, each of the reflective sides forms a 45 degree angle with a plane parallel to base 50 and passing through the vertex of pyramid 40. Cameras 52, 54, 56, and 58 are associated with pyramid reflective surfaces 48, 42, 44, and 46, respectively. The cameras may be image gathering devices such as an optical scanner. As a result, camera 52 views a reflection from surface 48 to enable it to view objects in the direction of arrow 60. Camera 54 views a reflection from surface 42 to view objects in the direction of arrow 62. Camera 56 views a reflection from surface 44 to

view objects in the direction of arrow 64, and camera 58 views a reflection from surface 46 to view objects in the direction of arrow 66. Each camera has a 90 degree field of view; however, larger fields of view may be used and the overlapping portion of the images may be removed by deleting or combining the pixels associated with the overlapping views. The combination of the four cameras viewing reflections from their associated reflective surfaces on pyramid 40, produce a 360 degree view of the area surrounding pyramid 40. When the mirrors are at 45 degree with respect to the pyramid base, it is desirable to locate the optical center of each camera on a plane that is parallel to base 50 and intersects vertex 70 of pyramid 40. Each camera's optical center should also be located on a line that passes through vertex 70 and is perpendicular to the base line of the camera's associated reflective surface. For example, the optical center of camera 54 is located on line 72. Line 72 is perpendicular to base line 74 of reflective surface 42. Line 72 is in a plane that passes through vertex 70 and is parallel to base 50. Likewise, the optical center of camera 56 is positioned on line 76 which is perpendicular to baseline 78, the optical center of camera 58 is positioned on line 80 which is perpendicular to base line 82, and the optical center of camera 52 is positioned on base line 84 which is perpendicular to base line 86.

Each camera optical center is positioned on one of the above described lines at a distance X from vertex 70 and each camera has its optical axes or direction of view pointing perpendicular to base 50. (The distance X should be such that the reflective surface reflects as much of the camera's field of view as desired; however, the defects in the reflective surface become more visible when the camera is moved closer to the reflective surface.) This positioning of optical centers results in the cameras sharing a virtual optical center located at, or substantially at, position 90. Virtual optical center 90 is located a distance X from the vertex 70 on a line that passes through vertex 70 and is perpendicular to base 50.

Although a pyramid configuration has been discussed in this example, different planar mirror geometries may be used to redirect fields of view so that the cameras have virtual optical centers that are substantially co-located. For example, solid, hollow or partial polyhedrons may be used. Additionally, in the case of a pyramid configuration the base and vertex do not have to be physically present and can be thought of as conceptual aids such as a base plane or end and vertex point or end.

FIG. 3 illustrates another view of pyramid 40 where only camera 54 is shown for the sake of simplicity. Camera 54 is positioned on line 72 so as to have a virtual optical center at, or nearly at, position 90 within pyramid 40. If camera 54 has a 90 degree field of view in the direction perpendicular to base 50, and if the optical center of camera 54 is at a distance of X from vertex 70 along line 72, camera 54 has a 90 degree view in the direction of arrow 62. In similar fashion, cameras 56, 58, and 52 have 90 degree views in the direction of arrows 64, 66, and 60, respectively. This arrangement inexpensively produces a 360 degree field of view of an area because cameras with a 90 degree field of view have relatively inexpensive optics.

FIG. 4 is a top view of pyramid 40. FIG. 4 illustrates the placement of the optical center of camera 54 along line 72. Line 72 should be in a plane passing through vertex 70 and is parallel to base 50. The line should also be perpendicular to base line 74 of pyramid 40. The camera's optical center should be positioned a distance X, or a distance substantially equal to X, from vertex 70 along line 72. Point 100 is located

on base **50** at a position where a line from vertex **70** perpendicularly intersects base **50**. In a similar fashion, the optical centers of cameras **56**, **58** and **52** are positioned the distance X , or a distance substantially equal to X , along lines **76**, **80** and **84**, respectively.

FIG. **5** illustrates an eight-sided pyramid **120**. Pyramid **120** has reflective surfaces **122** where each of surfaces **122** forms a 45 degree angle with a plane that passes through vertex **130** and is parallel to base **124**. As with the four-sided pyramid of FIG. **2**, each reflective surface of FIG. **5** may have a camera associated with it. Each camera's optical center is positioned on a line that is in a plane that passes through vertex **130** and is parallel to base **124**. The line is perpendicular to base line **132** of the reflective surface associated with the camera to be positioned. Using an eight-sided pyramid offers the advantage of using cameras with only a 45 degree horizontal field of view to obtain a 360 degree view. Cameras with only a 45 degree field of view have inexpensive optics and enable a 360 degree view to be constructed using relatively inexpensive components.

FIG. **6** is a top view of pyramid **120**. As discussed with regard to FIG. **5**, each camera's optical center is positioned along a line **134** which is in a plane that passes through vertex **130** and is parallel to base **124**. The optical centers are positioned a distance X , or a distance substantially equal to X , along line **134** which is perpendicular to the appropriate base line **132**. Point **140** is on base **124** at the point of intersection between base **124** and a line that passes through vertex **130** and is perpendicular to base **124**.

Polyhedrons or pyramids having more or less reflective sides may be used. The advantage of using pyramids having a large number of sides is that cameras with moderate to small fields of view may be used. Cameras with moderate fields of view have relatively inexpensive optics. The number of sides used in a pyramid is somewhat limited by the cost of providing a large number of cameras. A 360 degree view of a scene may be provided using a pyramid having three reflective sides. It may be expensive to use only a three-sided pyramid in order to provide a 360 degree field of view. This embodiment of the invention uses three cameras each with a 120 degree field of view, and cameras with such a wide field of view use relatively expensive optical components.

In applications where a full 360 degree view is not desired, it is possible to build a viewer that does not have a camera associated with each reflective surface of the pyramid. In addition to eliminating an unnecessary camera, it is also possible to eliminate an unnecessary pyramid polyhedron surface by using reflective elements that are partial pyramids or partial polyhedrons.

Although a pyramid configuration has been discussed in this example, different planar mirror geometries may be used to redirect fields of view so that the cameras have virtual optical centers that are substantially co-located. For example, solid, hollow or partial polyhedrons may be used. Additionally, in the case of a pyramid configuration the base and vertex do not have to be physically present and can be thought of as conceptual aids such as a base plane or end and vertex point or end.

FIG. **7** illustrates a block diagram of a system for controlling data produced by the cameras of a viewing device such as the viewing device described in FIGS. **2** through **4**. Cameras **52**, **54**, **56** and **58** obtain a 360 degree view of an area via their associated reflective surfaces of pyramid **40**. The image signal or output signal of cameras **52**, **54**, **56** and **58** are passed through analog to digital converters (A/D)

160, **162**, **164**, and **166**, respectively. The output of the cameras can be thought of as a stream of pixels and the output of the A/Ds can be thought of as data representative of the pixels from the cameras. The output of the A/Ds are passed through mux **170**. Mux **170** allows the pixel data from each of the A/Ds to reach memory **172**. Controller **174** cycles the select lines of mux **170** so that the outputs of all of the A/Ds are stored in memory **172**. Mux **170** is switched at a rate that is four times the pixel rate of the cameras. If more or less cameras are used, the rate at which mux **170** is switched will be increased or slowed accordingly. It is also possible to eliminate mux **170** and to store the output of each A/D in a separate memory. Controller **174** is implemented using a microprocessor which provides control signals to counters that control the switching of mux **170** and counters used to provide addressing to memory **172**. The control signals to the counters include reset, enable and a starting offset.

As a result of the pixel information being passed to memory **172**, memory **172** contains a 360 degree view of a scene. Pixel information stored in memory **172** is passed through digital to analog converter (D/A) **176** and to video display **178**. The actual portion of memory **172** that is passed to video display **178** via D/A **176** is controlled via user input device **180**. User input device **180** may be a common device such as a mouse, joystick, or keyboard. The user may simply lean a joystick to the right to shift his view to the right, lean the joystick to the left to shift the view to the left, or leave the joystick in the center to keep the view unchanged. Based on the input from user device **180**, controller **174** varies offsets and starting addresses that are used to provide addressing to memory **172**.

FIG. **8** illustrates the relationship between the data provided by the cameras and the view available to the user. Since the cameras share a virtual optical center, the view can be thought of as a cylindrical view. Sector **200** can be thought of as representing the information provided by camera **52**, sector **202** can be thought of as representing the information provided by camera **54**, sector **204** can be thought of as representing the information provided by camera **56**, and sector **206** can be thought of as representing the information provided by camera **58**. The surface of the cylinder in each sector can be thought of as a collection of columns, where each column is composed of pixels. For example, sector **200** can be thought of as a collection of columns including columns **210**, **212**, **214**, and **216**. Likewise, the output produced by camera **54** can be thought of as a collection of columns which include column **218** in sector **202** and the output of camera **58** can include columns such as column **220** in sector **206**.

FIG. **9** illustrates how memory **172** is divided to provide easy access to different views based on signals from user input device **180**. Sections **230**, **232**, **234**, and **236** correspond to sectors **206**, **200**, **202**, and **204**, respectively. Each of sections **230**, **232**, **234**, and **236** can be thought of as a block within memory **172**. The blocks in memory **172** are broken into columns of sequential addresses. The first column of memory segment **230** corresponds to the first column of pixels of sector **206**. The number of memory positions associated with a column should be at least sufficient to have one location for each pixel in a particular column. For example, if a column of pixels from FIG. **8** includes 1000 pixels, each column associated with the memory segments of FIG. **9** should have at least 1000 locations. The number of columns associated with a particular memory segment should be at least equal to the number of columns associated with a particular section of the cylinder of FIG. **8**.

If a camera scans in a horizontal direction, sequential pixels are written in adjacent columns, but possibly different rows, of a particular memory segment by simply changing an offset to a counter generated address. The overall write address is generated by adding the offset to the counter's output. This offset is changed at the rate in which the horizontally scanned pixels are received. After a horizontal scan is completed, the counter is incremented and once again the offsets are changed at the horizontal scan rate. As a result, when addressing a particular segment of memory during a write cycle, the columns are addressed by changing the offset at the horizontal pixel scan rate, and incrementing the counter at the vertical scan rate. This type of addressing scheme is used for accessing columns within each memory segment. When addressing different memory segments during a write cycle, a write segment offset is added to the sum of the counter output and the column offset. The write segment offset permits addressing memory segments **230**, **232**, **234**, and **236**. The segment offset is changed at the same rate as mux **170** is switched.

Pixel data is read from memory **172** in a similar fashion. The sum of a counter output and two sets of offsets are used to generate a read address. Once an initial starting column has been picked, the read address is generated by switching a read column offset at a rate that is equal to the horizontal scan rate of a video display. After reading one horizontal scans worth of data, the read counter is incremented and the read column offsets are changed at a rate equal to the horizontal scan rate of the display. As a result, the offset addresses are changing at the display's horizontal display rate and the counter is incremented at a rate equal to the vertical scan rate of a display. It is possible to read data out at a rate faster or slower than required by the video display; however, if read out faster, a buffer memory should be used, if read out slower the video display may appear choppy to the viewer.

It should be noted that the cylindrical arrangement of pixels of FIG. **8** is typically displayed on a flat or nearly flat display. As a result, the image may be displayed by compensating for converting between a cylindrical surface and a flat surface. This may be carried out using a simple conversion algorithm within a common digital signal processing integrated circuit. Methods for these types of conversions are well known in the art and can be found in "A Guided Tour of Computer Vision, Vishvjit S. Nalwa, Addison-Wesley Publishing Co., Reading, Mass., 1993." It is also possible to carry out the conversion using a very high resolution display.

It should be noted that if the view selected by a user corresponds exactly to the view of a particular camera, such as camera **52**, columns **240–248** are read from memory **170**. Column **240** is the first column in segment **232** and column **248** is the last column in segment **232**. If the user decides to move the view in a counter-clockwise direction, the start column will shift to the right so that the read operation begins at column **246** and ends at column **250**. It should be noted that column **246** is the second column associated with memory segment **232** which has the pixel data from camera **52**, and that column **250** is the first column of pixel data associated with camera **56**. As the user shifts the view, the starting column shifts in relationship to the user's commands. For example, if the user indicates that the view should shift in a counter-clockwise direction, the start column of FIG. **9** moves to the right, similarly, if the viewer indicates that the view should shift in a clockwise direction, the start column shifts to the left. As before, columns are addressed by using offsets, if the offsets involve moving

between memory segments, a read segment offset is added to the sum of the column offset and counter output.

FIG. **10** illustrates a block diagram of controller **174**. Controller **174** includes microprocessor **270** and memory **272**. Memory **272** includes RAM and ROM. Processor **270** receives commands on line **274** from user input device **180**. Microprocessor **270** controls start, stop and reset of counter **276**. Counter **276** controls the select lines of mux **170**. Counter **276** counts at a rate that is four times the horizontal scan rate of the cameras. Write address generator **278** provides write addressing for memory **172**. Write address generator **278** includes a counter, register for storing offsets and adder for adding the offsets and counter output. Microprocessor **270** controls the offset selection and the counters used by write address generator **278**. The write addresses are formed as described with regard to FIG. **9**. Read address generator **280** provides read addresses to memory **172**. Read address generator **280** includes a counter, register for storing offsets and adder for adding the offsets and counter output. As with write address generator **278**, microprocessor **270** controls the offset selection and the counters of read address generator **280**. Microprocessor **270** also controls the starting column used by the counters based on inputs provided on line **274** from user input **180**.

The write and read addresses are provided to memory **172** separately if memory **172** is implemented using a two port memory. If memory **172** is implemented with a single port memory, the write and read addresses are multiplexed to memory **172**.

FIG. **11** illustrates the viewing system of FIG. **2** with a fifth camera. Camera or image gathering device **400** is located in pyramid **40** with the optical center of camera **400** located at, or nearly at, virtual optical center **90**. Camera **400** views objects in the direction of arrow **410**. The resulting view coupled with the views of the remaining four cameras, provides a nearly spherical view. If the cameras of FIG. **11** are replaced with image producing devices, the nearly spherical viewing system becomes a nearly spherical projection system. It should be noted, that a camera or projection device, may be placed at the virtual optical center of viewing/projection devices having pyramids with three, four or more sides. It should also be noted that base edges **420** of the reflective surfaces should be beveled to avoid undesirable obstruction of camera **400**'s field of view. It is also possible to avoid undesirable image artifacts from base edges **420** by moving camera or image processing device **400**. Device **400** should be moved so that device **400**'s optical center is positioned away from virtual optical center **90** in the direction of arrow **410**. Device **400**'s optical center should be positioned so that the device's field of view does not include edges **420**.

FIG. **12** illustrates a top view of the pyramid of FIG. **2**. In reference to FIG. **2**, camera **52**, **54**, **56**, and **58** have been moved upward in the direction of base **50**. As a result, virtual optical centers **500**, **502**, **504** and **506**, which correspond to cameras **52**, **54**, **56** and **58**, respectively, are moved away from virtual optical center **90**. It is desirable to move the virtual optical centers so that camera **52** captures an image between lines **508** and **510** that are unaffected by an edge of the pyramid, camera **54** captures an image between lines **512** and **514** that are unaffected by an edge of the pyramid, camera **56** captures an image between lines **516** and **518** that are unaffected by an edge of the pyramid, and camera **58** captures an image between lines **520** and **522** that are unaffected by an edge of the pyramid. This results in the cameras not capturing images distorted by edges of the pyramid from narrow planar shaped regions. In particular,

planar regions **524**, **526**, **528**, and **530** are not used and form blind regions. This offers the advantage of removing image regions that are distorted by the edges of the reflective pyramid. Eliminating these portions of the fields of view alleviates the need to provide image processing that compensates for image artifacts at the edges. It is desirable to keep virtual optical centers **500**, **502**, **504**, and **506** closely clustered so that planes **524**, **526**, **528**, and **530** are only as thin as necessary to avoid edge artifacts. By maintaining such thin planes, the need to process the images at their common boundaries is removed while minimizing the noticeable effect seen by a user.

FIG. **13** illustrates the pyramid of FIG. **12** with shades **560**, **562**, **564**, and **566** positioned in planar regions **524**, **526**, **528**, and **530**, respectively. The shades reduce the amount of unwanted light that enters the cameras. Similar shades may be placed in blind regions between device **400** and one or more of the other image processing devices. It is also possible to place a shade on base **50** with the edges of the shade extending beyond the edges of the base to reduce the amount of unwanted light that enters cameras **52**, **54**, **56**, and **58** from sources behind base **50**.

FIG. **14** illustrates reflective pyramids **602** and **604** arranged in a base-to-base configuration. The bases may be in contact with each other or spaced apart. Reflected pyramids **602** and **604** each have four reflective side facets. Pyramid **602** has reflective side facets **608**, **610**, **612**, and **614**. Reflective pyramid **604** has reflective sides **616**, **618**, **620**, and **622**. Pyramid **602** includes vertex **624** and pyramid **604** includes vertex **626**. Vertices **624** and **626** are on a line **628** that is perpendicular to the base of each pyramid. Each pyramid has four image processing devices such as cameras with a field of view being redirected by a reflective surface. With regard to pyramid **602**, a camera with an optical center positioned at point **630** has a field of view in the direction of arrow **632** where that field of view is redirected by reflective surface **608**. A second camera with an optical center at point **634** has a field of view in the direction of arrow **636** which is redirected by reflective surface **610**. A third camera with an optical center at point **638** has a field of view in the direction of arrow **640** which is redirected by reflective surface **612**. A fourth camera with an optical center at point **642** has a field of view in the direction of arrow **644** which is redirected by reflective surface **614**. Regarding reflective pyramid **604**, a first camera with an optical center at point **646** has a field of view in the direction of arrow **648** which is redirected by reflective surface **616**. A second camera with an optical center at point **650** has a field of view in the direction of arrow **652** which is redirected by surface **618**. A third camera with an optical center at point **654** has a field of view in the direction of arrow **656** which is redirected by reflective surface **620**. A fourth camera with an optical center at point **658** has a field of view in the direction of arrow **660** which is redirected by reflective surface **622**. The cameras associated with each of the pyramids are positioned in a way similar to how the cameras were positioned with regard to FIGS. **2**, **3**, **4**, **11**, and **12** so that each set of four cameras shares a common virtual optical center or have closely clustered virtual optical centers within their associated pyramid. Each set of cameras may also have offset virtual optical centers within their associated pyramid. The cameras may be positioned so that the cameras associated with each pyramid share a common virtual optical center along line **628** where the bases of the two pyramids meet. It is also possible to position the cameras so that their offset virtual optical center are clustered about a point on line **628** where the bases of the two pyramids meet.

The structure of FIG. **14** increases the vertical field of view as compared to the viewers discussed with regard to FIGS. **2**, **3** and **4**. The viewer of FIG. **14** increases the vertical field of view by using two cameras rather than one camera for the same or nearly the same horizontal field of view. It should be noted that a projector may be constructed by replacing the cameras with image producing devices. It should also be noted that reflective pyramids **602** and **604** may be rotationally misaligned with respect to each other. This misaligned relationship is obtained by rotating one or both of the pyramids about an axis that passes through the vertices of both pyramids. For example, the axis may be co-linear with line **628**. As a result of this rotation, the side edges of the reflective side facets of pyramid **602** will not align with the side edges of the reflective side facets of pyramid **604**.

Although a pyramid configuration has been discussed in this example, different planar mirror geometries may be used to redirect fields of view so that the cameras have virtual optical centers that are substantially co-located. For example, solid, hollow or partial polyhedrons may be used. Additionally, in the case of a pyramid configuration the base and vertex do not have to be physically present and can be thought of as conceptual aids such as a base plane or end and vertex point or end.

FIG. **15** illustrates two reflective pyramids. Reflective pyramid **702** is nested within reflective pyramid **704**. It should be noted that more than two reflective pyramids may be nested. For example, another reflective pyramid may be nested within reflective pyramid **702** and yet another reflective pyramid may be nested within the pyramid that is nested within pyramid **702**. Vertex **706** of pyramid **702** and vertex **708** of pyramid **704** are on a line **710** which is perpendicular to the bases of both pyramids. Once again, each pyramid includes four image processing devices such as cameras each with a field of view that is redirected by a reflective surface of their associated pyramid. Pyramid **702** includes reflective side facets **712**, **714**, **716**, and **718**. Reflective pyramid **704** includes reflective side facets **720**, **722**, **724**, and **726**. Four cameras are positioned so that their field of view is redirected by the reflective surfaces of pyramid **702**. A first camera with an optical center at point **730** and a field of view in direction of arrow **732** has its field of view redirected by reflective surface **712**. A second camera with an optical center at point **734** and a field of view in the direction of arrow **736** has its field of view redirected by reflective surface **714**. A third camera with an optical center at point **738** and a field of view in the direction of arrow **740** has its field of view redirected by reflective surface **716**. A fourth camera with an optical center at point **742** and a field of view in the direction of arrow **744** has its field of view redirected by reflective surface **718**. It should be noted that pyramid **702** and its associated cameras are positioned so that the field of view of the cameras is not obstructed by pyramid **704**. This is accomplished by allowing pyramid **702** to extend beyond the base of pyramid **704**. Regarding pyramid **704**, a first camera with an optical center at point **750** and a field of view in the direction of arrow **752** has its field of view redirected by reflective surface **720**. A second camera with an optical center at point **754** and a field of view in the direction of arrow **756** has its field of view redirected by reflective surface **722**. A third camera with an optical center at point **758** and a field of view in the direction of arrow **760** has its field of view redirected by reflective surface **724**. A fourth camera with an optical center at point **762** and a field of view in the direction of arrow **764** has its field of view redirected by reflective surface **726**. The

cameras associated with each of the pyramids are positioned in accordance with the positioning illustrated with FIGS. 2, 3, 4, 11, and 12 so that the eight cameras share a virtual optical center at position 770 or have closely clustered virtual optical centers within pyramid 702. Each set of cameras may also have offset virtual optical centers within pyramid 702.

The panoramic viewer of FIG. 15 can be provided with a ninth camera having an optical center at point 770 and a field of view in the direction of arrow 772 to provide a viewer with a partially-spherical view. The camera having an optical center at position 770 may use a wide-angle lens to provide a broader view.

FIG. 16 illustrates the partially-spherical viewer of FIG. 15 with an additional camera having an optical center at point 780 and a field of view in the direction of arrow 782 where that field of view is redirected by planar mirror 784. It should be noted that optical center 780 is on line 710 which passes through the vertices of pyramid 702 and 704 as well as virtual optical center 770. It should also be noted that point 780 is placed a distance away from planar mirror 784 that is equal or nearly equal to the distance between planar mirror 784 and virtual optical center 770. By placing a camera with an optical center at point 780 and having the field of view redirected by planar mirror 784, the partially-spherical viewer of FIG. 15 becomes a spherical viewer. In order to increase the field of view of the camera positioned with an optical center at point 780, the camera may be provided with a wide-angle lens. It should also be noted that planar mirror 784 may be replaced with a curved mirror to provide a wider field of view for the camera positioned at point 780 and minimize the need for a wide-angle lens.

Although a pyramid configuration has been discussed in this example, different planar mirror geometries may be used to redirect fields of view so that the cameras have virtual optical centers that are substantially co-located. For example, solid, hollow or partial polyhedrons may be used. Additionally, in the case of a pyramid configuration the base and vertex do not have to be physically present and can be thought of as conceptual aids such as a base plane or end and vertex point or end.

Regarding FIGS. 15 and 16, it should be noted that a projector may be constructed by replacing the cameras with image producing devices. It should also be noted that reflective pyramids 702 and 704 may be rotationally misaligned with respect to each other. This misaligned relationship is obtained by rotating one or both of the pyramids about an axis that passes through the vertices of both pyramids. For example, the axis may be co-linear with line 710. As a result of this rotation, the side edges of the reflective side facets of pyramid 702 will not align with the side edges of the reflective side facets of pyramid 704.

FIG. 17 illustrates a stand used to support a panoramic viewer. Reflective pyramid 800 is mounted to stand or post 802 using a support member such as hollow tube 804. The pyramid is secured to hollow tube 804 at vertex end 806. The hollow tube is secured to stand 802 by angle brackets 808. Hollow tube 804 extends beyond vertex end 806 so that cameras 810 may be supported by tube 804. The cameras are mounted to tube 804 by strap or belt 812 which presses cameras 810 against spacer 814. The pressure provided by clamp or strap 812 provides friction between camera 810, spacer 814, and the outer surface of tube 804 and thereby mounts cameras 810 to tube 804 in a secure fashion. It is also possible to provide a second strap and associated spacers at end-section 816 of cameras 810. Video and power connec-

tions to cameras 810 are provided by cables 818 which are fed through hollow tube 804 and out through space 820 which is between post 802 and the base of pyramid 800. It should be noted that hollow tube 804 may be replaced with a solid support member; however, a hollow support member provides a convenient path for routing cables. Feeding the cables through tube 804 prevents the cables from entering the field of view of cameras 810. Rubber stands or feet 824 are provided at the base end of pyramid 800. These stands may be used in place of post 802 to provide flexibility in application where the user does not want to use post 802.

It is also possible to invert the viewer of FIG. 17 so that the viewer is supported by end 830 of tube 804. In this configuration cables 818 will simply be passed out through an opening at end 830 of tube 804. In this configuration tube 804 is mounted to post 802 at end 830 using angle brackets similar to angle brackets 808. It is also possible to mount end 830 to any convenient structure to support the panoramic viewer.

The stand of FIG. 17 is applicable to the viewer of FIGS. 14, 15, and 16. As discussed with regard to FIG. 17, the viewer is mounted to a hollow tube passing through the vertices or vertex ends of both pyramids. FIG. 18 illustrates the viewer of FIG. 14 mounted to the stand of FIG. 17 and FIG. 19 illustrates the viewer of FIG. 15 mounted to the stand of FIG. 17.

Calibration

A higher quality image may be produced by calibrating the camera system. Calibration may be used to determine image mapping functions (which may be implemented as look up tables) that compensate for different types of image distortion. For example, the mapping functions may be used to correct barrel distortion which is a distortion introduced by a wide-angle lens. Mapping functions may also be used to correct other types of distortions such as a rotational distortion resulting from misaligned charged coupled devices within the cameras. FIG. 20 illustrates a combination of barrel distortion and rotational distortion, where the distortion results in rectangular object 900 appearing as distorted image 902. Distorted image 902 is rotated with respect to undistorted object 900 and a barrel distortion is seen where edges 904 and 906 of rectangular object 900 appear as edges 908 and 910 of image 902, and where edges 912 and 914 appear as edges 916 and 918, respectively. This distortion may be corrected using mapping functions that are determined by calibrating the camera system.

FIG. 21 illustrates a process for calibrating the camera system. A vertical column of equally spaced elliptical dots 930 is placed in a fixed position. The dots are white on a black background where the major axis of the elliptical dot is in the vertical direction. Panoramic camera 940 is then rotated in small discrete steps about an axis 942 passing through the virtual optical center of the panoramic camera. At each step, the distorted image of the column of elliptical dots is viewed and a mapping function for that data is determined to remove the distortion. This function maps the image such that the distorted image of each vertical column of equally spaced dots is a vertical column of equally spaced dots in the mapped image. Note that although the images of the white dots have black gaps between them, the mapping function is computed to apply to every image pixel (including the pixels between the white dots) through interpolation. An image mapping function is determined at each of the discrete steps as the camera is rotated, the union of these mapping functions is combinable into a 2-D to 2-D mapping that ensures not only that each vertical column of equally spaced dots appears as a vertical column of equally

spaced dots in the image, but also that these columns are spaced horizontally in proportion to the angular rotation between their image acquisitions, the latter providing a cylindrical (rather than flat) image of the scene.

FIGS. 22 and 23 illustrate how the data representative of the vertical column of elliptical dots is represented as a result of distortion. FIG. 22 is similar to FIG. 8 in that it illustrates the relationship between the data provided by the cameras and the view available to the user. It should be noted that the vertical column of dots is not in a single column of FIG. 22 as a result of the distortion. The distortion has caused the dots to occupy columns 960, 962, 964 and 966, rather than just a single column. FIG. 23 is similar to FIG. 9 in that it illustrates how image data is stored. When the distorted image data is stored in memory as represented in FIG. 23, the data representative of the dots also occupies several columns where columns 980, 982, 984 and 986 correspond to the columns 960, 962, 964 and 966 of FIG. 22, respectively. The image mapping function determined during the calibration phase is used to correct for this distortion when the data is read from the memory represented in FIG. 23. The corrected or undistorted image data may then be displayed to the user or written to a memory used to store data representative of the undistorted image. FIG. 24 illustrates the relationship between the data read from the memory of FIG. 23 and the undistorted view made available to a user. For example, the mapping function associated with column 1000 specifies that when reading data for use in the uppermost portion of column 1000, data is read from column 980 and when reading data for use in the portion of column 1000 just below, data is read from column 982. The mapping function also specifies that when reading data for use in the middle portion of column 1000, data is read from column 984. Moving further down column 1000, data is then read from column 982, then column 980, and eventually from column 986 when data for use at the bottom of column 1000 is retrieved. As a result of reading data, as specified by the mapping function, the column of data will appear vertical to a user viewing a display. FIG. 24 illustrates that the data retrieved from the memory of FIG. 23 now appears as a vertical column where the distortion is no longer evident. A similar mapping function, as determined during calibration, is used for each column of FIG. 24 to produce an undistorted image for display. It should be noted that multiple discrete rotational steps used to calibrate the panoramic camera could be substituted by a group of several columns illustrated in FIG. 24.

Color and intensity calibration may also be carried out using a procedure similar to the procedure illustrated in FIG. 21. In this case, column 930 of elliptical dots is replaced by a known color pattern. The panoramic camera is then rotated so that each camera captures an image of the color pattern. Several color patterns (such as various shades of red, green, blue, and gray) could be used one by one. Then on a pixel-by-pixel basis, the data from each camera is adjusted to correct any red, green, or blue distortion so that the produced image has a color pattern that closely matches the calibration color pattern. Additionally, the intensity of each pixel from each camera is adjusted so that there is relatively uniform intensity and color within a single camera's image and between the images of the multiple cameras when viewing a scene with constant color and brightness. As discussed with regard to the mapping function, the pixel-by-pixel adjustment may be stored in a table. A less precise, but simpler method of color and intensity calculation may be used. This method simply involves manually adjusting the color and intensity controls of each camera to get correct

color and intensity when viewing a scene with a particular color and intensity. It should be noted that by using this method, all of the pixels of a particular camera receive the same adjustments.

FIG. 25 illustrates a panoramic camera system where calibration based image mapping correction is used. FIG. 25 is similar to FIG. 7; however, it should be noted that a frame buffer memory and an additional microprocessor have been included. Cameras 52, 54, 56, and 58 gather image data and then pass the data to analog-to-digital converters 160, 162, 164, and 166, respectively. The output of the analog-to-digital converters are then passed through red, green, blue, and intensity adjustment units 1010, 1012, 1014, and 1018. It is possible to place these units before the analog/digital converters, if the adjustment units are analog units. Additionally, it is also possible to use cameras that have the adjustment units built into each camera. In any case, the adjustment units are programmed or set to adjust the color and intensity as determined by the calculation procedures. Each of these units adjust the red, green, and blue levels and the overall levels of the signals from the analog-to-digital converter. It should be noted that if cameras 52 through 58 are color cameras, analog-to-digital converters 160 to 166 typically receive three signals and output three signals, where each pair of input and output signals corresponds to one of the colors red, green, and blue. Units 1010 through 1016 simply adjust the relative amplitudes of the red, green, and blue signals in accordance with the settings determined during the calibration procedure. Each of units 1010 through 1018 also adjust the overall amplitude of the red, green, and blue signals in accordance with the overall intensity calibration settings. The outputs of the red, green, and blue intensity adjustments are then passed through a multiplexer as discussed in FIG. 7, and are passed to frame buffer memory 1030. It is also possible to replace frame buffer 1030 with an individual frame buffer for each of red, green, blue and intensity units 1010, 1012, 1014, and 1018. The outputs of each of the individual frame buffer may then be passed to microprocessor 1030 via multiplexer 170.

Frame buffer memory 1030 is operated in a fashion similar to memory 172 of FIG. 7 and stores the data representing the distorted images as was discussed in reference to FIG. 23. Microprocessor 1040 then reads the data from frame buffer memory 1030 using the mapping functions determined during the calibration procedure and then writes the data into display memory 1050. Recalling the discussion associated with FIG. 24, the data representing undistorted images is then stored in memory 1050 for retrieval by the users. The users can retrieve the data as is discussed in reference to FIG. 7 where the data read out is determined based on a user's input. It is also possible for the entire contents of display memory to be made available to each user. The data may be communicated to each user through a communication network such as a telephone network or a data network, or it may be directly communicated to the user via a dedicated wired or wireless communication path. The user then may use a digital-to-analog converter to convert the data into an analog format that may be displayed for the user or the user may use the digital data directly and forego the use of a digital-to-analog converter.

The invention claimed is:

1. A panoramic viewing apparatus, comprising:

- a plurality of image processing devices, each having an optical center and a field of view;
- a reflective element being at least partially polyhedral having a plurality of reflective facets facing in different directions, each of at least two of the plurality of

15

reflective facets redirecting a field of view of one of the plurality of image processing devices to create a plurality of virtual optical centers; and

a support member intersecting an inner volume of the reflective element, the reflective element being secured to the support member and the plurality of image processing devices being secured to the support member.

2. The panoramic viewing apparatus of claim 1, wherein the plurality of image processing devices are secured to a portion of the support member extending out from the reflective element.

3. The panoramic viewing apparatus of claim 1, wherein the support member is hollow.

4. A panoramic viewing apparatus, comprising:

a plurality of first image processing devices, each having an optical center and a field of view;

a plurality of second image processing devices, each having an optical center and a field of view;

a first and a second reflective element each being at least partially polyhedral arranged adjacent to each other, the first reflective element having a plurality of first reflective facets facing in different directions, each of at least two of the plurality of first reflective facets redirecting a field of view of one of the plurality of first image processing devices to create a plurality of first virtual optical centers, and the second reflective element having a plurality of second reflective facets facing in different directions, each of at least two of the plurality of second reflective facets redirecting a field of view of one of the plurality of second image processing devices to create a plurality of second virtual optical centers; and

a support member intersecting an inner volume of at least one reflective element, at least one of the reflective elements being secured to the support member and at least one of the plurality of first or second image processing devices being secured to the support member.

5. The panoramic viewing apparatus of claim 4, wherein the plurality of first image processing devices are secured to a first portion of the support member extending out from the first reflective element, and the plurality of second image processing devices are secured to a second portion of the support member extending out from the second reflective element.

6. The panoramic viewing apparatus of claim 4, wherein the support member is hollow.

7. A panoramic viewing apparatus, comprising:

a plurality of first image processing devices, each having an optical center and a field of view;

a plurality of second image processing devices, each having an optical center and a field of view;

a first reflective element being at least partially polyhedral;

a second reflective element being at least partially polyhedral with at least a portion of the second reflective element being positioned within the first reflective element, the first reflective element having a plurality of first reflective facets facing in different directions, each of at least two of the plurality of first reflective facets redirecting a field of view of one of the plurality of first image processing devices to create a plurality of first virtual optical centers, and the second reflective element having a plurality of second reflective facets facing in different directions, each of at least two of the

16

plurality of second reflective facets redirecting a field of view of one of the plurality of second image processing devices to create a plurality of second virtual optical centers; and

a support member intersecting an inner volume of at least one reflective element, at least one of the reflective elements being secured to the support member and at least one of the plurality of first or second image processing devices being secured to the support member.

8. The panoramic viewing apparatus of claim 7, wherein the plurality of first image processing devices are secured to a first portion of the support member extending out from the first reflective element, and the plurality of second image processing devices are secured to a second portion of the support member extending out from of the reflective element.

9. The panoramic viewing apparatus of claim 7, wherein the support member is hollow.

10. A panoramic viewing apparatus, comprising:

plurality of image processing devices, each having an optical center and a field of view;

a pyramid shaped element having a plurality of reflective side facets facing in different directions, each of at least two of the plurality of reflective side facets redirecting a field of view of one of the plurality of image processing devices to create a plurality of virtual optical centers; and

a support member intersecting an inner volume of the pyramid shaped element, the pyramid shaped element being secured to the support member and the plurality of image processing devices being secured to the support member.

11. The panoramic viewing apparatus of claim 10, wherein the plurality of image processing devices are secured to a portion of the support member extending out from the pyramid shaped element.

12. The panoramic viewing apparatus of claim 10, wherein the support member is hollow.

13. A panoramic viewing apparatus, comprising:

a plurality of first image processing devices, each having an optical center and a field of view;

a plurality of second image processing devices, each having an optical center and a field of view;

a first and a second pyramid shaped element arranged base end to base end, the first pyramid shaped element having a plurality of first reflective side facets facing in different directions, each of at least two of the plurality of first reflective side facets redirecting a field of view of one of the plurality of first image processing devices to create a plurality of first virtual optical centers, and the second pyramid shaped element having a plurality of second reflective side facets facing in different directions, each of at least two of the plurality of second reflective side facets redirecting a field of view of one of the plurality of second image processing devices to create a plurality of second virtual optical centers; and

a support member intersecting an inner volume of at least one of the pyramid shaped elements, at least one of the pyramid shaped elements being secured to the support member and at least one of the plurality of first or second image processing devices being secured to the support member.

14. The panoramic viewing apparatus of claim 13, wherein the plurality of first image processing devices are secured to a first portion of the support member extending

17

out from the first pyramid shaped element, and the plurality of second image processing devices are secured to a second portion of the support member extending out from the second pyramid shaped element.

15. The panoramic viewing apparatus of claim 13, 5 wherein the support member is hollow.

16. A panoramic viewing apparatus, comprising:

plurality of first image processing devices, each having an optical center and a field of view;

a plurality of second image processing devices, each 10 having an optical center and a field of view;

a first pyramid shaped element having a first vertex end and a first base end;

a second pyramid shaped element having a second vertex 15 end and a second base end with at least a portion of the second pyramid shaped element being positioned within the first pyramid shaped element so that the first and second vertex ends point in the same direction, the first pyramid shaped element having a plurality of first 20 reflective side facets facing in different directions, each of at least two of the plurality of first reflective side facets redirecting a field of view of one of the plurality of first image processing devices to create a plurality of

18

first virtual optical centers, and the second pyramid shaped element having a plurality of second reflective side facets facing in different directions, each of at least two of the plurality of second reflective side facets redirecting a field of view of one of the plurality of second image processing devices to create a plurality of second virtual optical centers; and

a support member intersecting an inner volume of at least one of the pyramid shaped elements, at least one of the pyramid shaped element being secured to the support member and at least one of the plurality of first or second image processing devices being secured to the support member.

17. The panoramic viewing apparatus of claim 16, wherein the plurality of first image processing devices are secured to a first portion of the support member extending out from the first pyramid shaped element, and the plurality of second image processing devices are secured to a second portion of the support member extending out from the second pyramid shaped element.

18. The panoramic viewing apparatus of claim 16, wherein the support member is hollow.

* * * * *