



US005990934A

United States Patent [19]

[11] Patent Number: **5,990,934**

Nalwa

[45] Date of Patent: ***Nov. 23, 1999**

[54] **METHOD AND SYSTEM FOR PANORAMIC VIEWING**

[75] Inventor: **Vishvjit Singh Nalwa**, Middletown, N.J.

[73] Assignee: **Lucent Technologies, Inc.**, Murray Hill, N.J.

5,194,959	3/1993	Kaneko et al.	358/225
5,236,199	8/1993	Thompson, Jr.	273/439
5,264,945	11/1993	Kannegundla et al.	358/444
5,495,576	2/1996	Ritchey	348/39
5,526,133	6/1996	Paff	358/335
5,539,483	7/1996	Nalwa	353/94
5,745,305	4/1998	Nalwa	353/30
5,793,527	8/1998	Nalwa	359/403

[*] Notice: This patent issued on a continued prosecution application filed under 37 CFR 1.53(d), and is subject to the twenty year patent term provisions of 35 U.S.C. 154(a)(2).

This patent is subject to a terminal disclaimer.

FOREIGN PATENT DOCUMENTS

WO 92 14341 8/1992 WIPO .

OTHER PUBLICATIONS

IEICE Transaction on Communications, vol. E77-B, No. 2, Feb. 1, 1994, pp. 232-238, XP000447116, Kazutake Uehira et al., "Seamless Image-Connection Technique For A Multiple-Sensor Camera," p. 233, col. 1, line 19-p. 234, col. 1, line 14. AP: Communication from European agent transmitting the European search report.

Primary Examiner—Wendy Garber
Assistant Examiner—Aung S. Moe
Attorney, Agent, or Firm—Christopher N. Malvone

[21] Appl. No.: **08/431,354**

[22] Filed: **Apr. 28, 1995**

[51] **Int. Cl.**⁶ **H04N 7/00**

[52] **U.S. Cl.** **348/36; 353/30**

[58] **Field of Search** 348/36, 38, 39, 348/37; 353/30, 98, 99, 94; 352/69-71

[57] ABSTRACT

Four cameras provide a 360 degree view of an area using a four sided pyramid shaped element. The four sides of the pyramid shaped element are reflective and reflect images from four different directions. Each camera is positioned to receive a reflected image from one of the reflective sides of the pyramids. The cameras are arranged so that they share a common virtual optical center. Pixel data from the cameras is stored in a memory, and the data is selectively retrieved from the memory for viewing based on a user's input.

[56] References Cited

U.S. PATENT DOCUMENTS

4,355,328	10/1982	Kulik	348/38
4,985,762	1/1991	Smith	348/39
5,016,109	5/1991	Gaylord	358/225
5,023,725	6/1991	McCutchen	348/38
5,030,823	7/1991	Obdeijn	250/223
5,130,794	7/1992	Ritchey	358/87
5,179,440	1/1993	Loban et al.	348/36
5,187,571	2/1993	Braun et al.	348/39

12 Claims, 6 Drawing Sheets

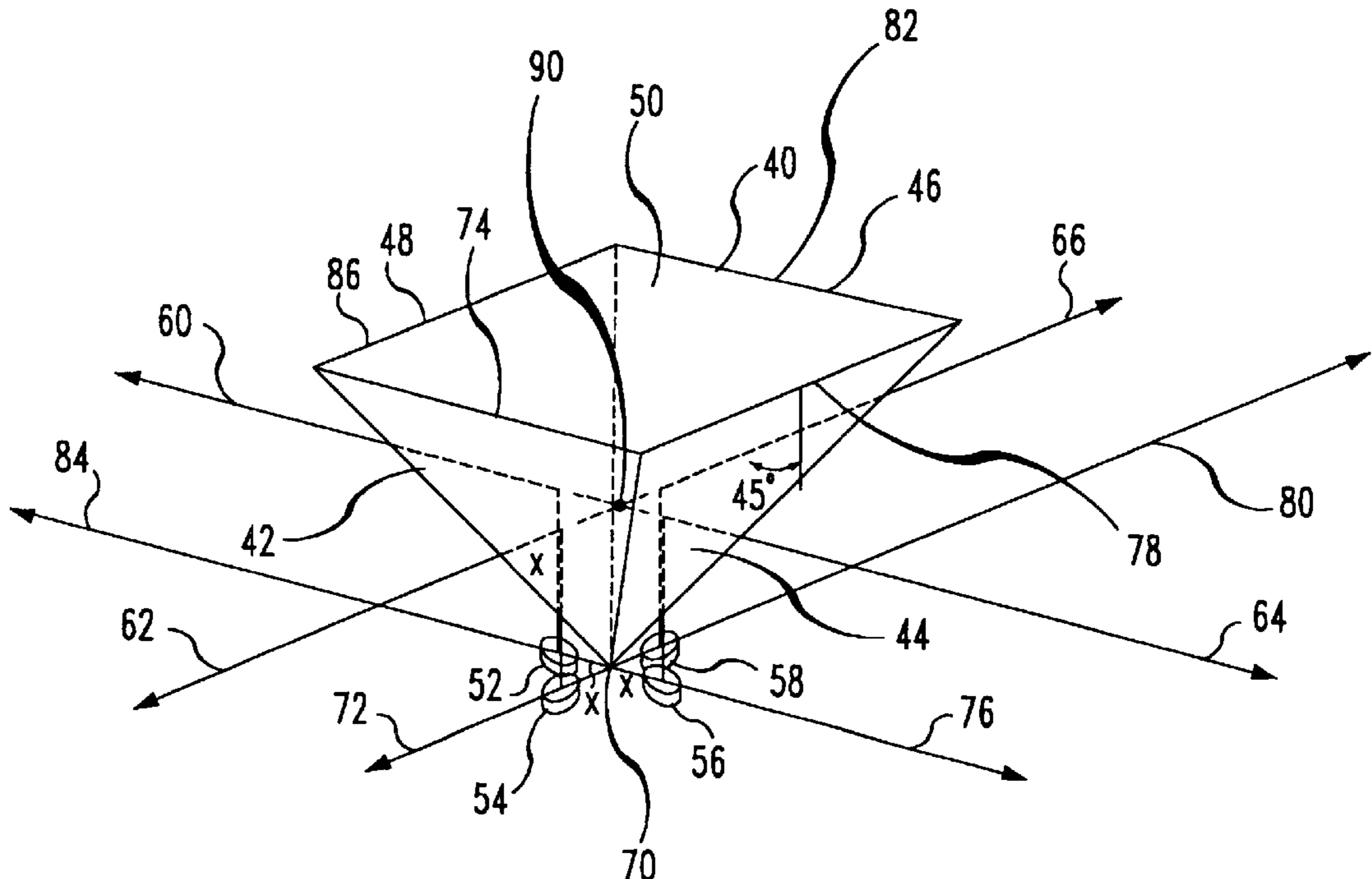


FIG. 1

PRIOR ART

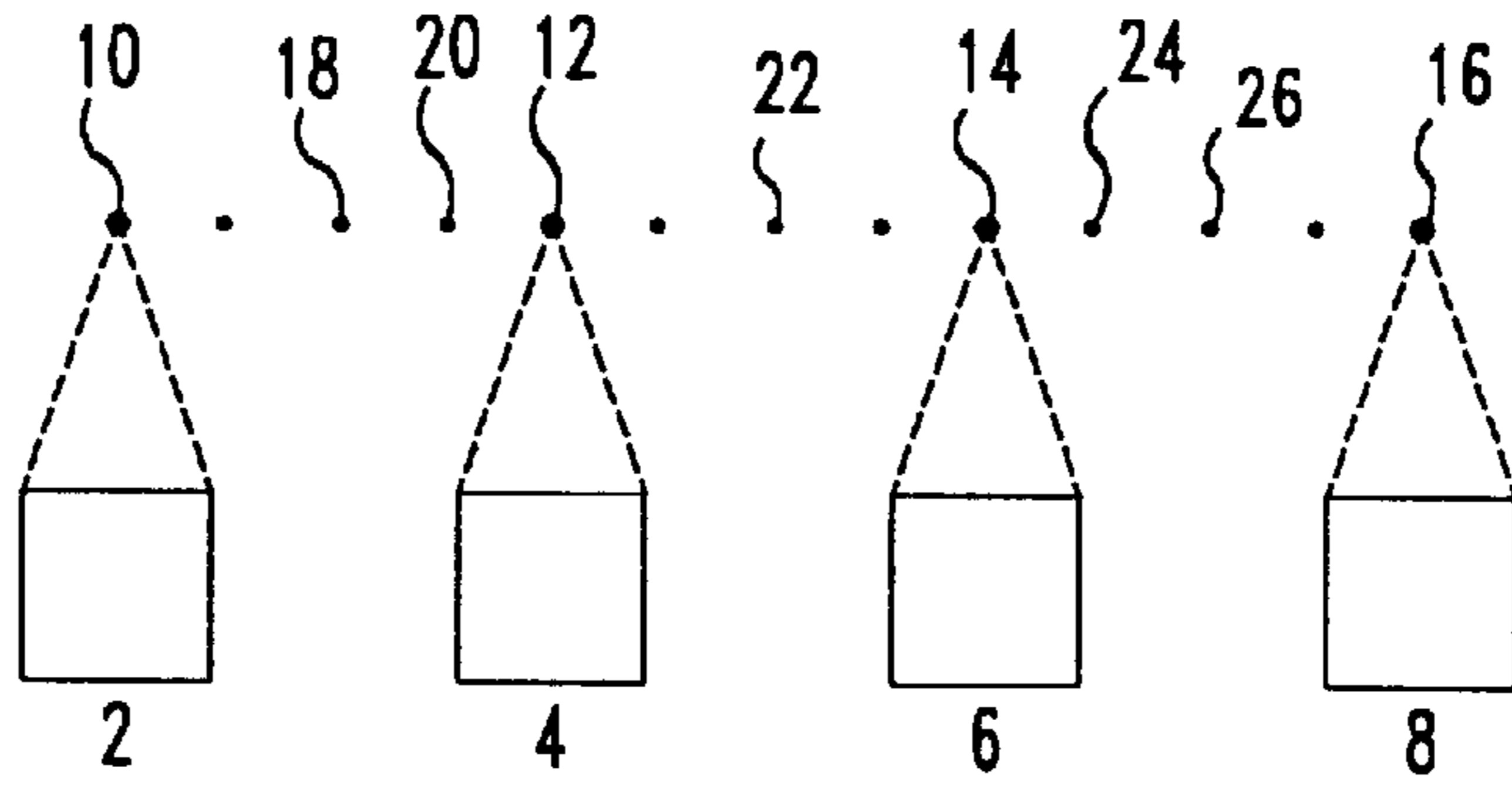


FIG. 2

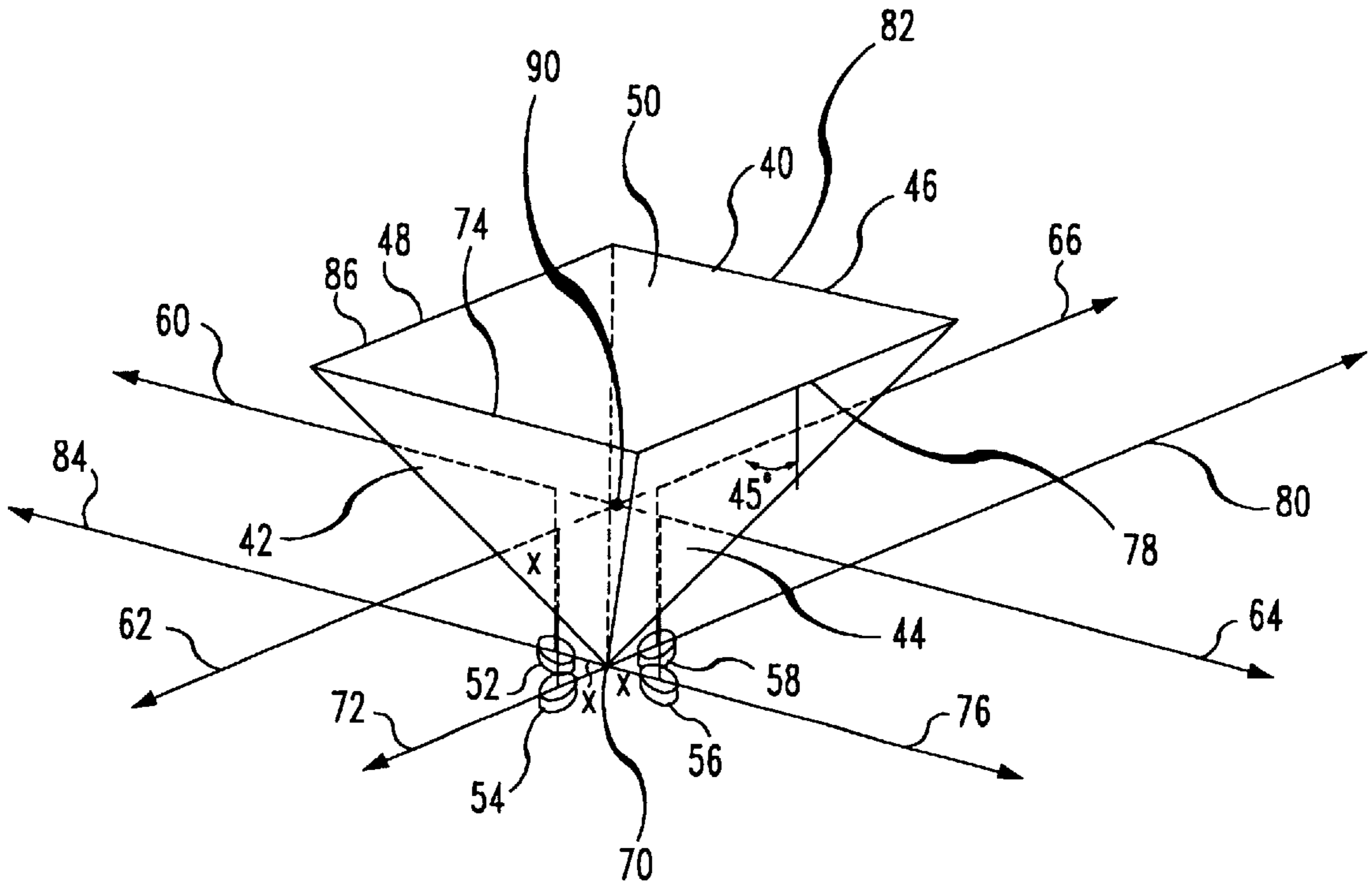


FIG. 3

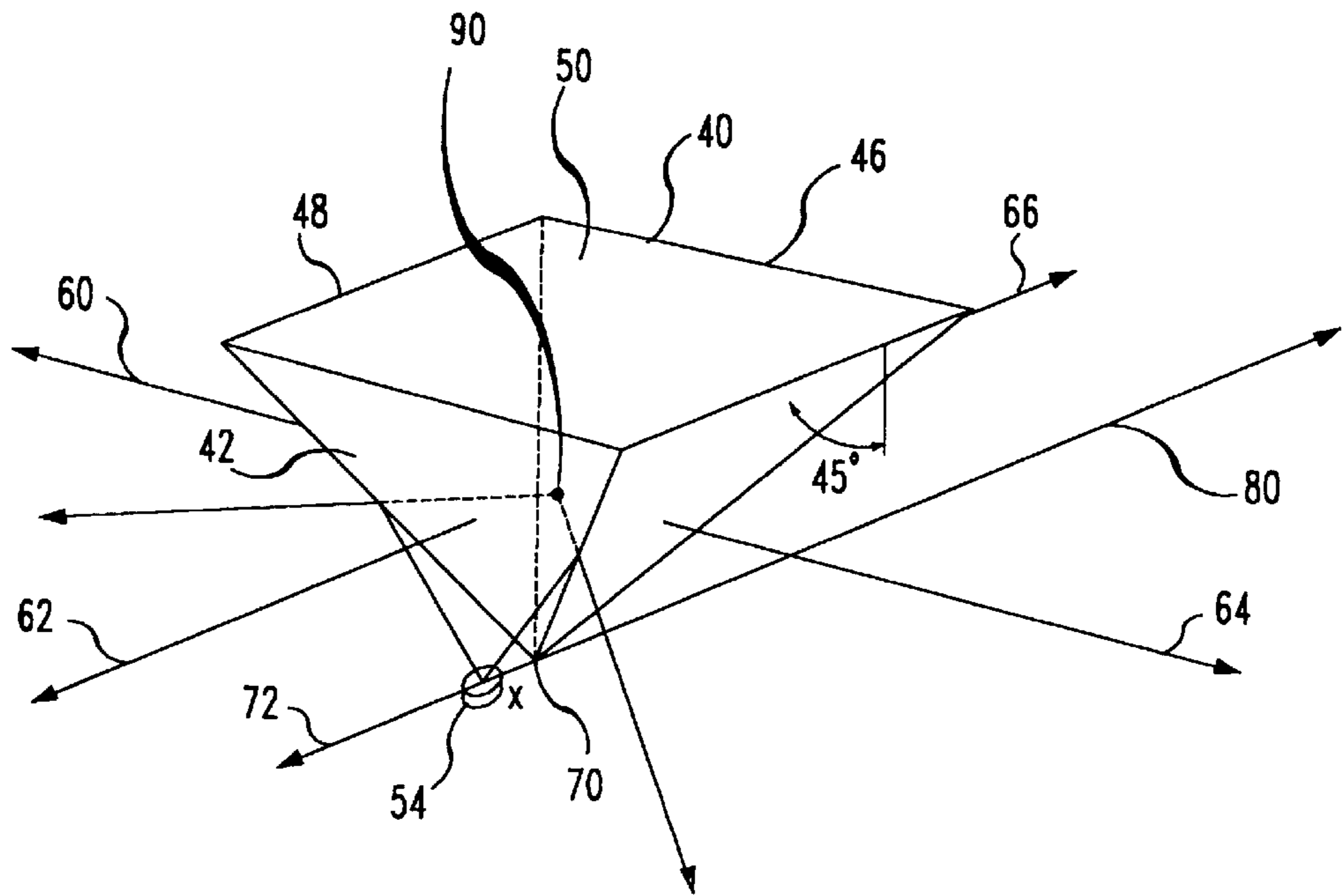


FIG. 4

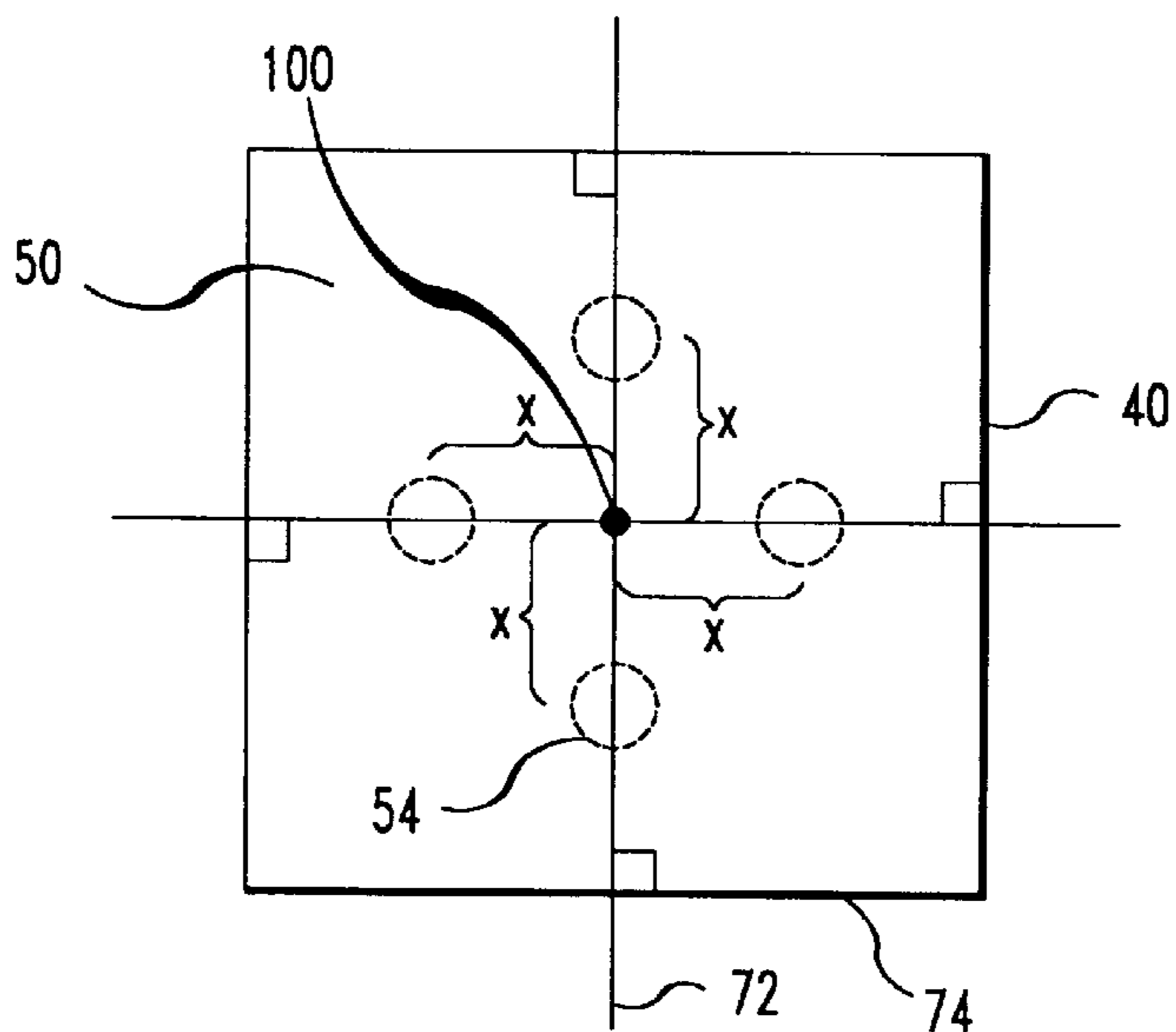


FIG. 5

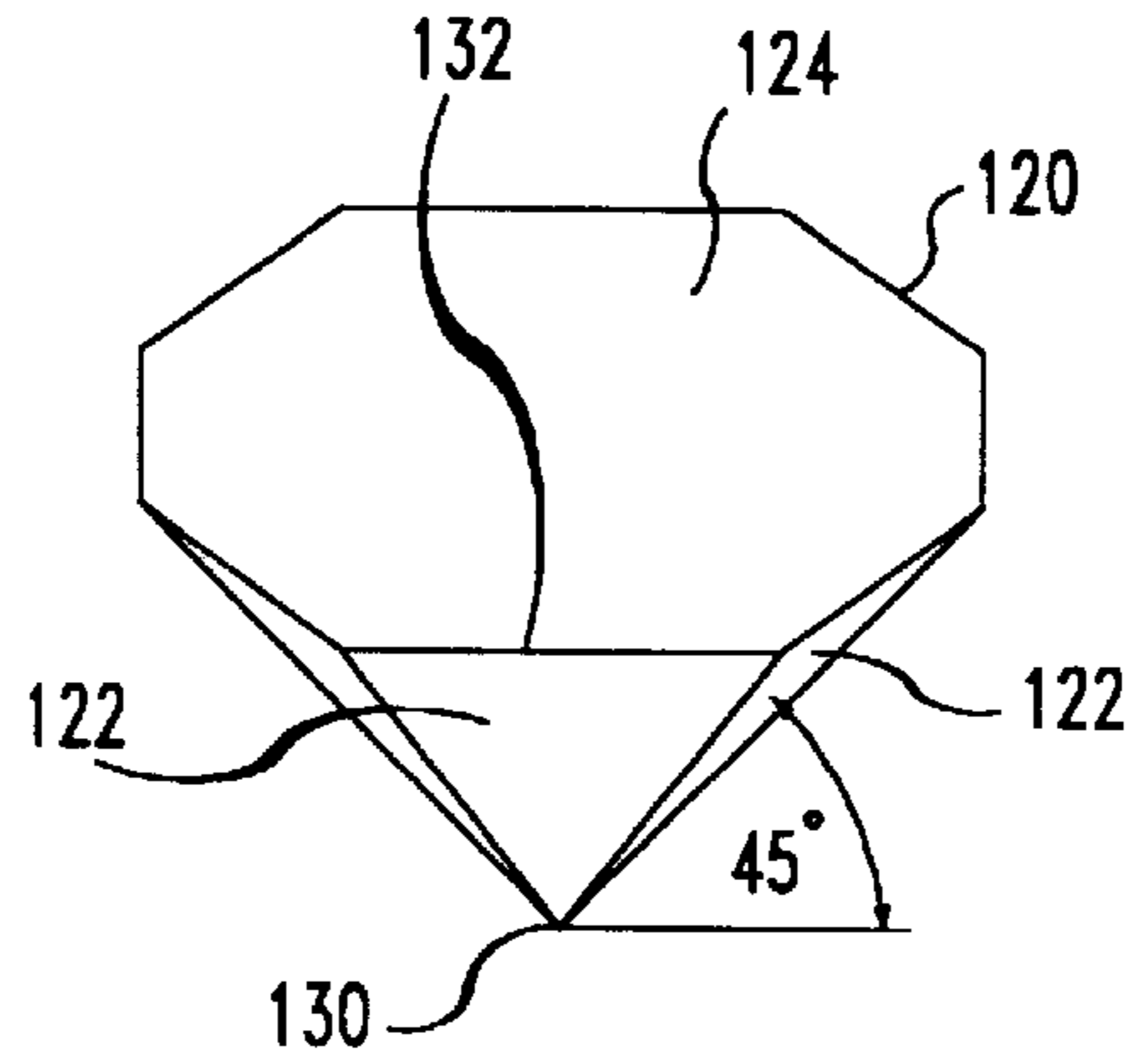


FIG. 6

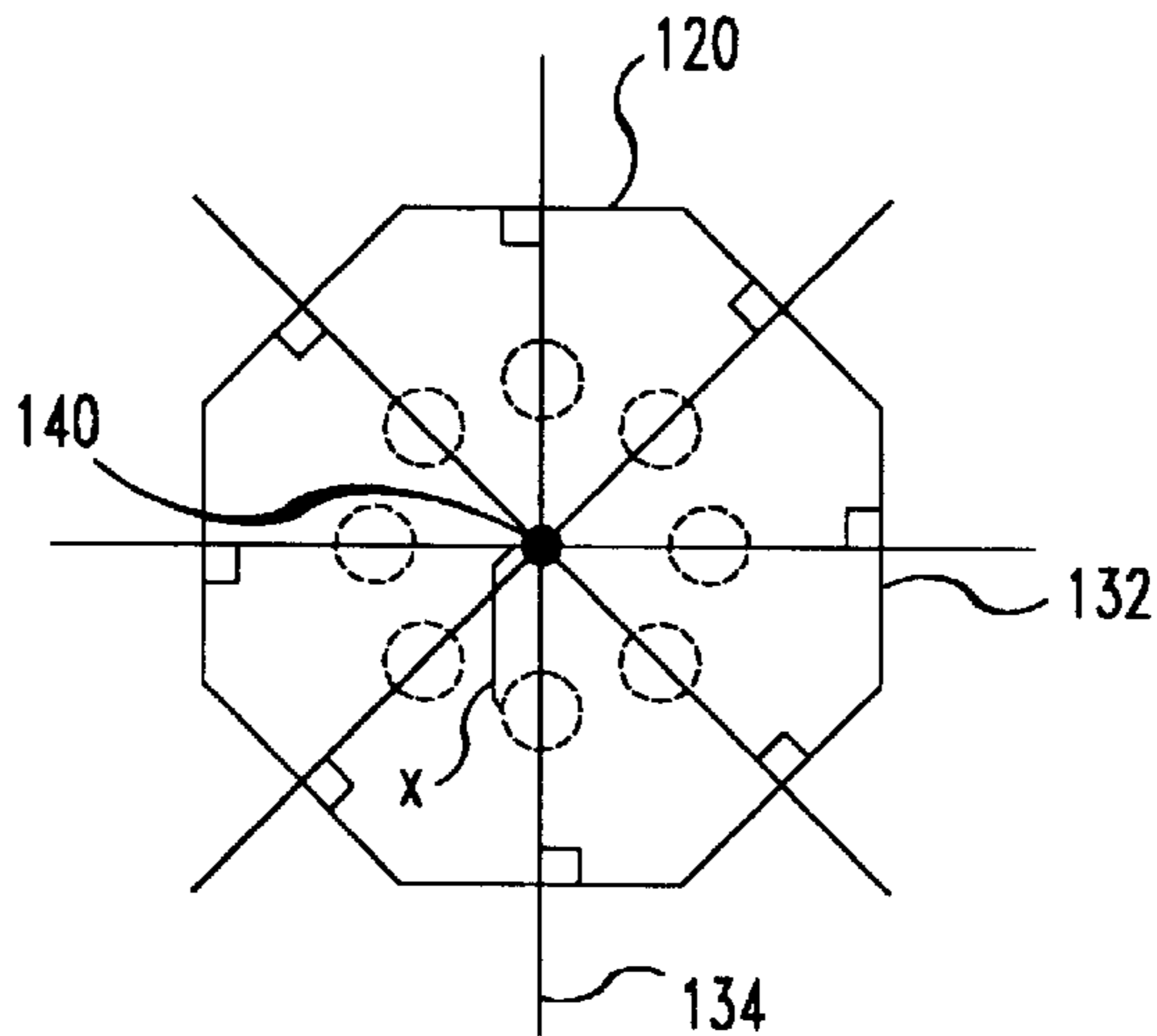


FIG. 7

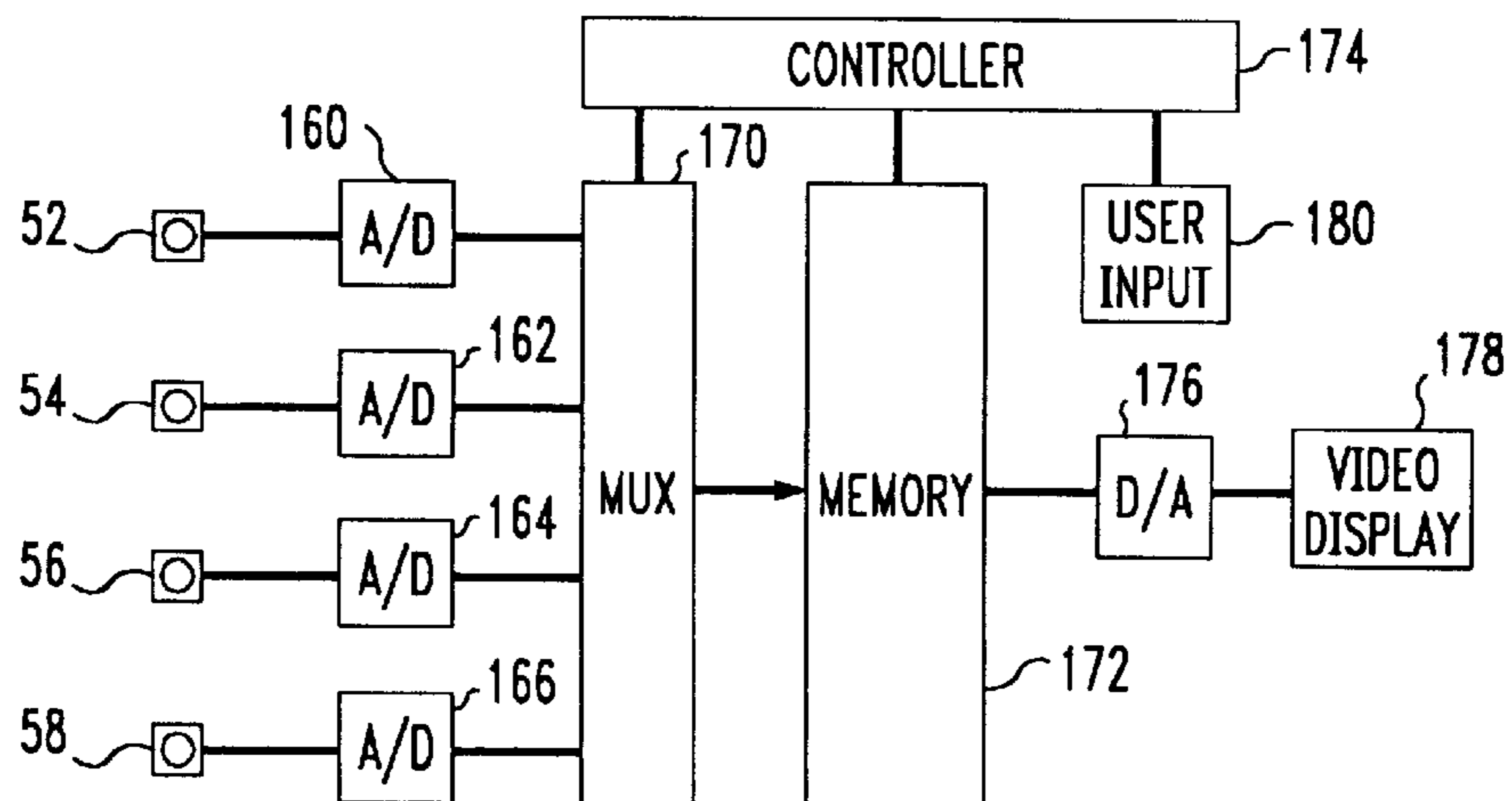


FIG. 8

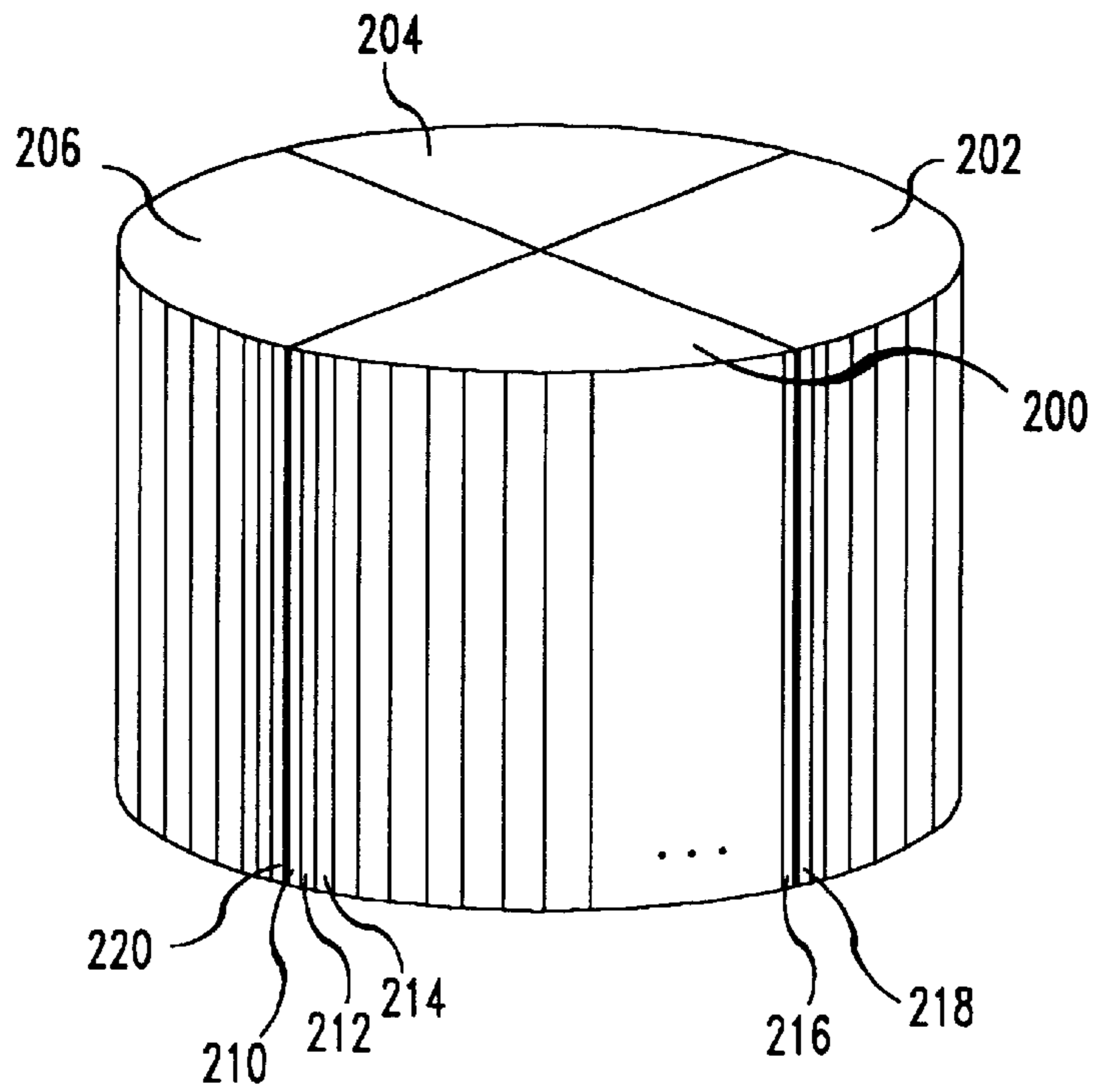


FIG. 9

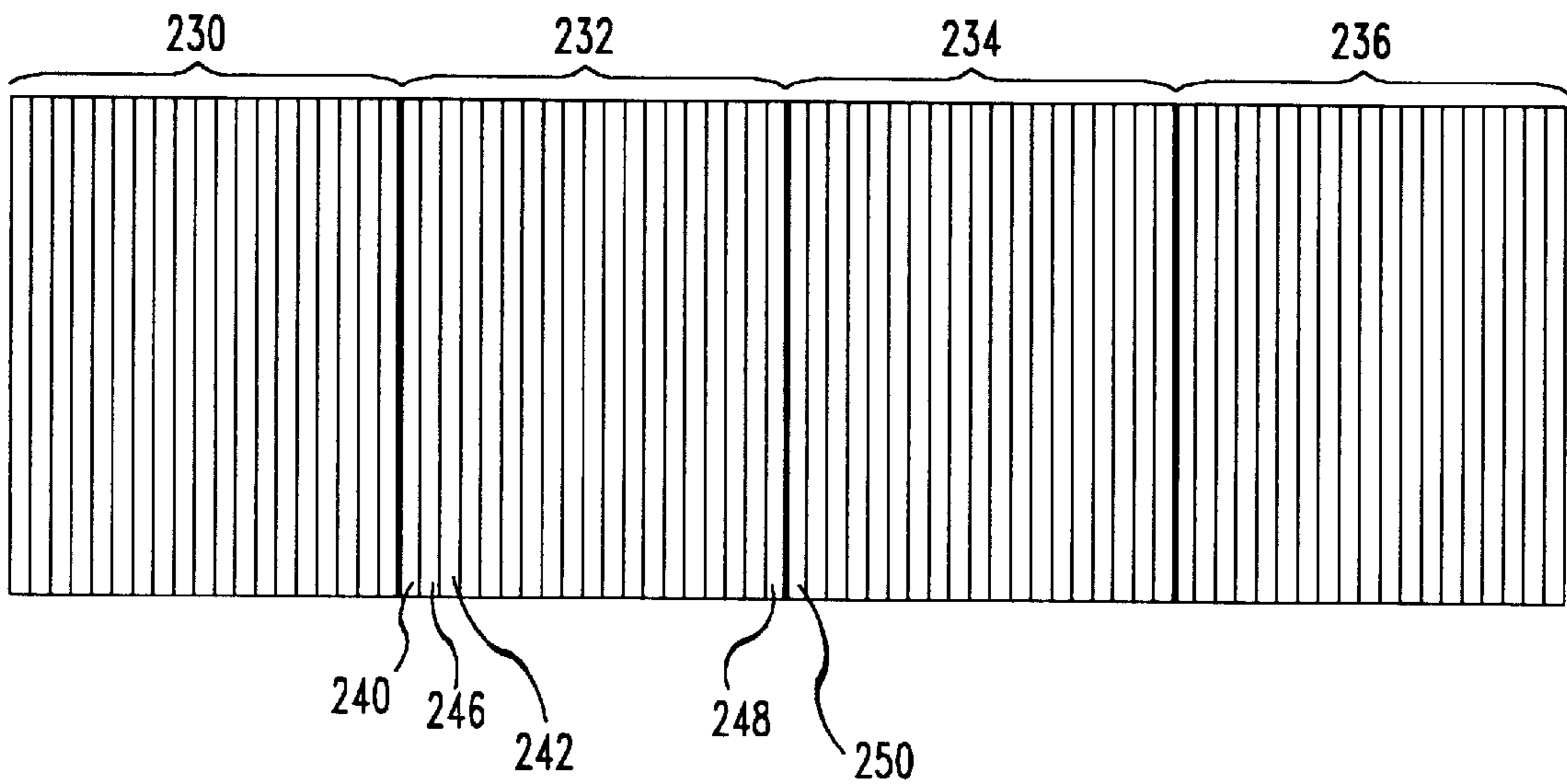


FIG. 10

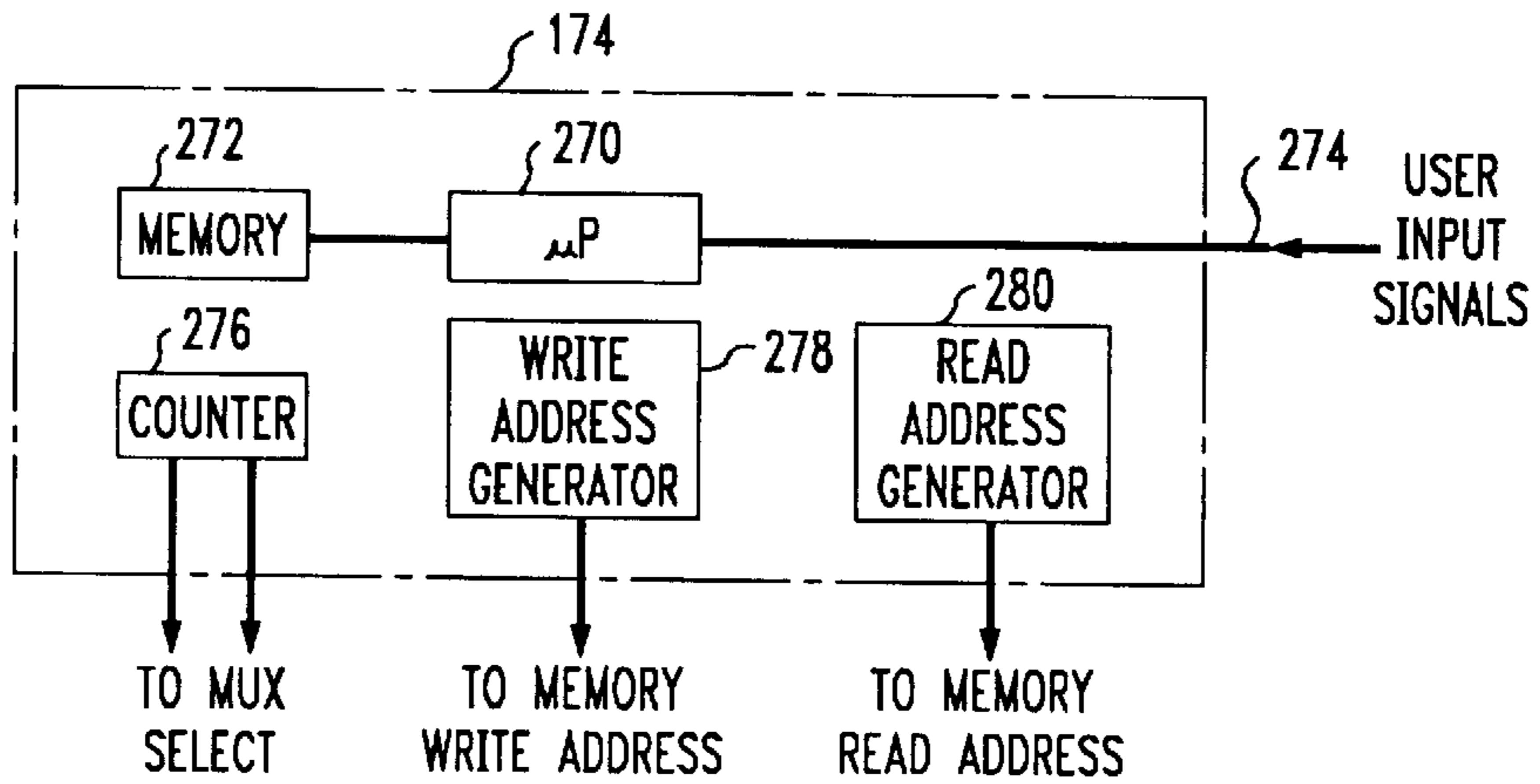


FIG. 11

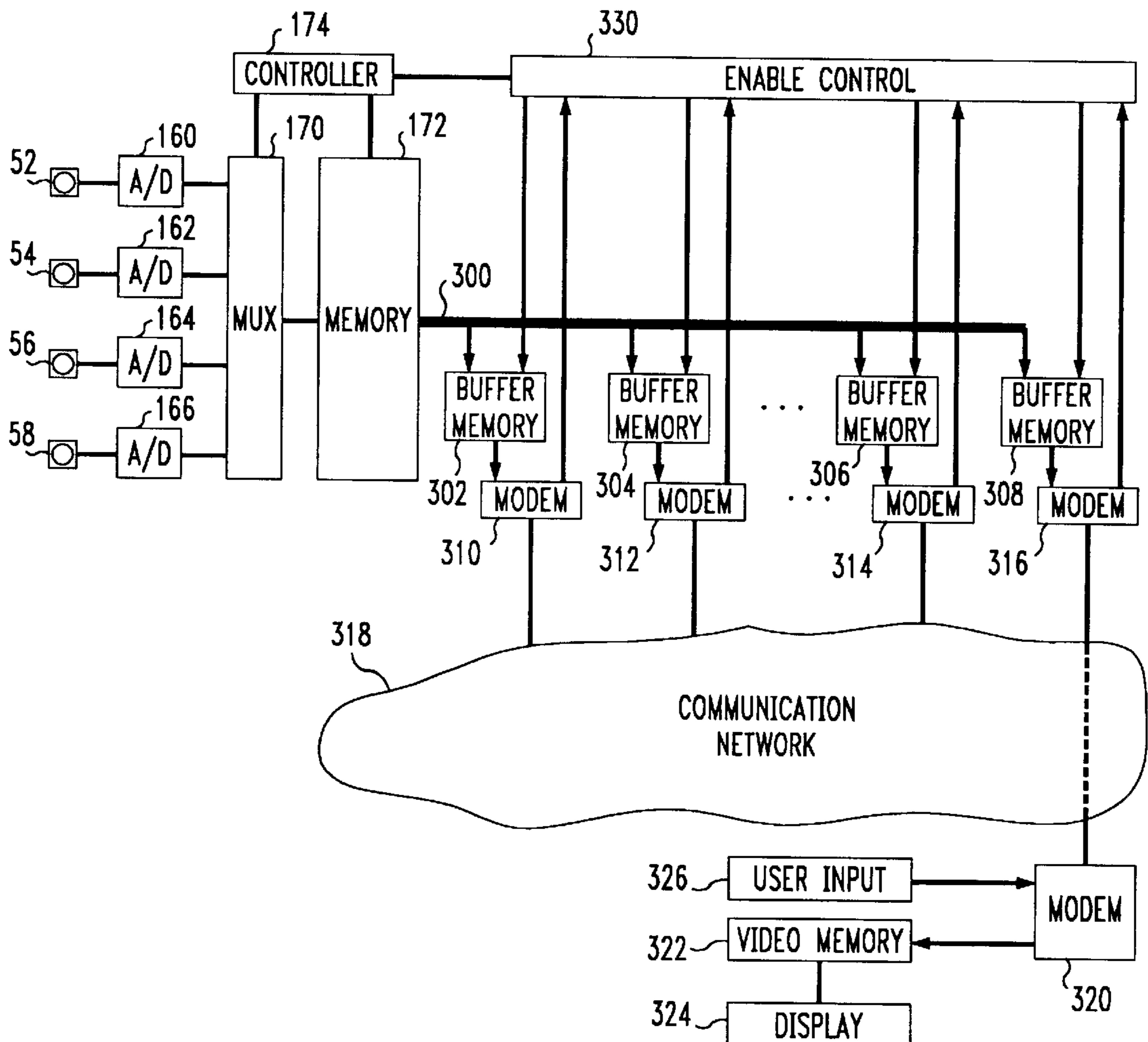
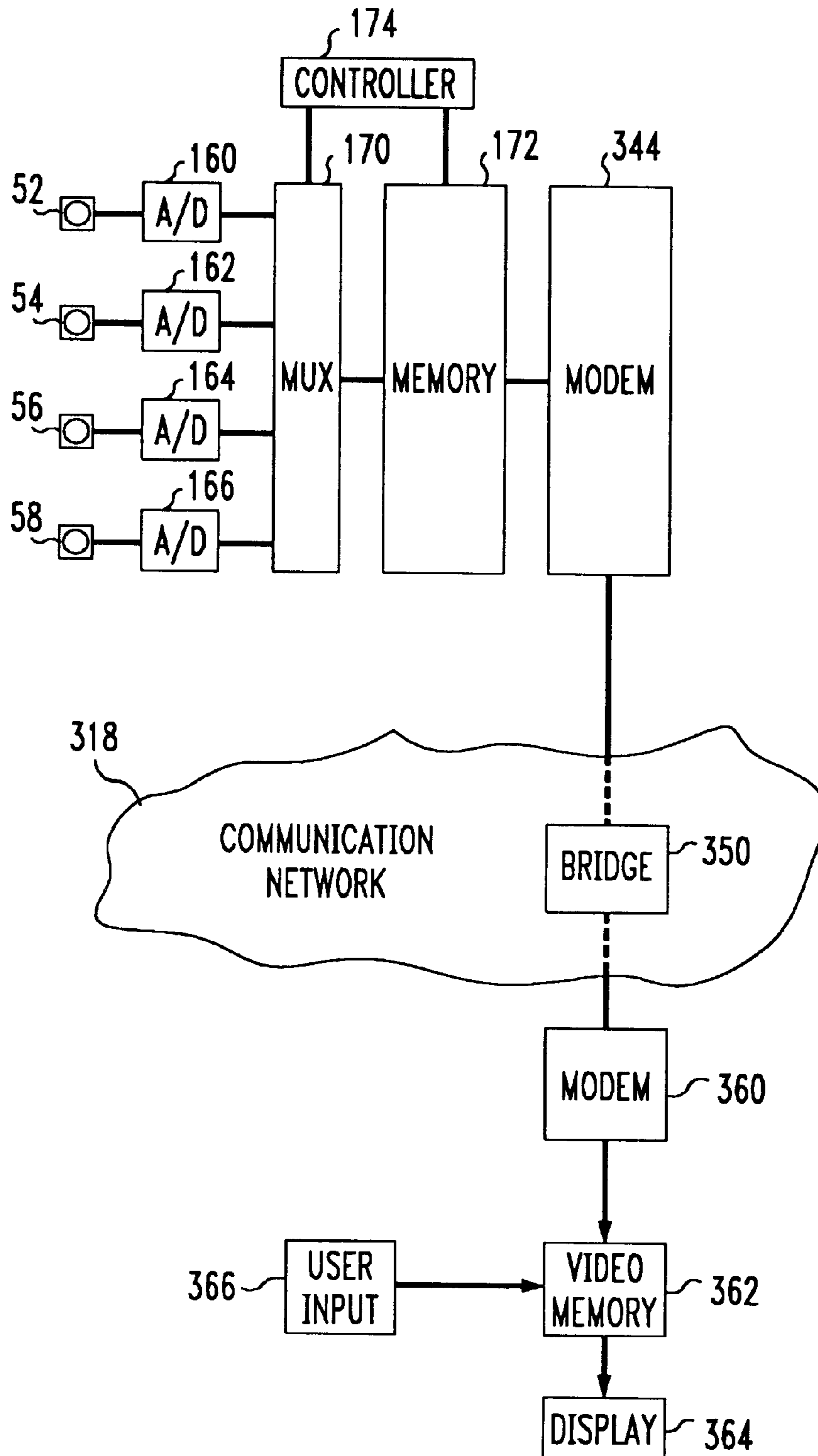


FIG. 12



METHOD AND SYSTEM FOR PANORAMIC VIEWING

CROSS-REFERENCE TO RELATED INVENTION

This application is related to commonly assigned and concurrently filed U.S. patent application entitled "Panoramic Viewing Apparatus", Ser. No. 08/431,356 filed Apr. 28, 1995 U.S. Pat. No. 5,745,305.

BACKGROUND OF THE INVENTION

1. Field of the Invention

The present invention relates to a viewing system; more particularly, a panoramic viewing system.

2. Description of the Related Art

In an effort to operate more efficiently, it is desirable to perform some tasks using telepresence. For example, many businesses now hold meetings using telepresence. Telepresence is also useful for distance learning and remote viewing of events such as concerts and sporting events. A more realistic telepresence is provided to a user by providing the user with the capability to switch between views, and thereby mimic, for example, looking around a meeting room.

In the past, when several views were made available to a user, several cameras with different optical centers were used. Such a situation is illustrated in FIG. 1. FIG. 1 illustrates cameras **2**, **4**, **6** and **8** with optical centers **10**, **12**, **14**, and **16**, respectively. When the user decided to change views, he or she simply switched between cameras. In more sophisticated systems, when a user decided to change views, he or she was able to obtain a view from optical centers **10**, **12**, **14**, or **16** as well as from additional optical centers **18**, **20**, **22**, **24** or **26**. Views associated with optical centers such as **18**, **20**, **22**, **24**, and **26** were obtained by using views from the two cameras nearest to the selected optical center. For example, a view from optical center **18** was obtained by using the views from cameras **2** and **4** and interpolating between the two views so as to simulate a view from optical center **18**. Such procedures introduced irregularities into views. In addition, forming these interpolated views required a large amount of computational power and time, and thereby made this technique expensive and slow to respond to a user's commands. This computational overhead also limited the number of users that can simultaneously use the system.

SUMMARY OF THE INVENTION

One embodiment of the present invention provides an omnidirectional or panoramic viewer where several cameras have a common optical center. The field of view of each of the cameras is arranged to form a continuous 360 degree view of an area when taken as a whole. The user can sweep through 360 degrees of viewing, where each view has the same or nearly the same optical center, by simply using the output of one camera or the combination of two cameras without requiring the computational overhead of interpolation used in the prior art. Such an arrangement may be used to enhance use of virtual meeting rooms by allowing a viewer to see the meeting room in a more natural format. This format corresponds closely to a person sitting in the actual meeting who simply turns his or her head to change the view at a particular time.

In another embodiment of the present invention, several users may use the viewing system simultaneously. The data

from several cameras is used to provide a continuous 360 degree view of an area and that data is made available to each user. Each user simply selects the data associated with the portion of the view in which he or she is interested.

In yet another embodiment, the present invention provides a panoramic or omnidirectional viewing system that can be used to provide a selectable view to users via a communications network such as a telephone or cable TV network. The information associated with the views produced by this embodiment of the invention may be transmitted over a communications network so that each user can select the portion of data desired for a particular view.

BRIEF DESCRIPTION OF THE DRAWINGS

FIG. 1 illustrates a prior art multiple camera viewing system;

FIG. 2 illustrates a four camera omnidirectional or panoramic viewing system using a four-sided pyramid with reflective surfaces;

FIG. 3 illustrates how a reflective surface of the pyramid is used to provide each camera with a common optical center;

FIG. 4 illustrates the top view of the pyramid illustrating the camera positions;

FIG. 5 illustrates an eight-sided pyramid with reflective side surfaces;

FIG. 6 is a top view of the pyramid of FIG. 5;

FIG. 7 is a block diagram of a system to control data produced by the cameras;

FIG. 8 illustrates the association between the data received from the cameras and the view presented to a user;

FIG. 9 illustrates an addressing scheme for the memory of FIG. 7;

FIG. 10 is a block diagram of the controller of FIG. 7;

FIG. 11 illustrates using a telecommunications network to provide a selection of views to a plurality of users; and

FIG. 12 illustrates a second embodiment for providing a selection of views to multiple users over a telecommunications network.

DESCRIPTION OF THE PREFERRED EMBODIMENTS

FIG. 2 illustrates a four camera system for providing a 360 degree view to a user, where the cameras each have a common virtual optical center within the pyramid. Pyramid **40** has reflective sides **42**, **44**, **46** and **48**. In a preferred embodiment, the reflective sides form a 45 degree angle with a plane parallel to base **50** and passing through the vertex of pyramid **40**. Cameras **52**, **54**, **56** and **58** are associated with pyramid reflective surfaces **48**, **42**, **44**, and **46**, respectively. The cameras may be image gathering devices such as an optical scanner. As a result, camera **52** views a reflection from surface **48** to enable it to view objects in the direction of arrow **60**. Camera **54** views a reflection from surface **42** to view objects in the direction of arrow **62**. Camera **56** views a reflection from surface **44** to view objects in the direction of arrow **64**, and camera **58** views a reflection from surface **46** to view objects in the direction of arrow **66**. Each camera has a 90 degree field of view. The combination of the four cameras viewing reflections from their associated reflective surfaces on pyramid **40**, produce a 360 degree view of the area surrounding pyramid **40**. It is desirable to locate the optical center of each camera on a plane that is parallel to base **50** and intersects vertex **70** of pyramid **40**.

Each camera's optical center should also be located on a line that passes through vertex **70** and is perpendicular to the base line of the camera's associated reflective surface. For example, the optical center of camera **54** is located on line **72**. Line **72** is perpendicular to base line **74** of reflective surface **42**. Line **72** is in a plane that passes through vertex **70** and is parallel to base **50**. Likewise, the optical center of camera **56** is positioned on line **76** which is perpendicular to baseline **78**, the optical center of camera **58** is positioned on line **80** which is perpendicular to base line **82**, and the optical center of camera **52** is positioned on base line **84** which is perpendicular to base line **86**.

Each camera optical center is positioned on one of the above described lines at a distance X from vertex **70** and each camera has its optical axes or direction of view pointing perpendicular to base **50**. (The distance X should be such that the reflective surface reflects as much of the camera's field of view as desired; however, the defects in the reflective surface become more visible when the camera is moved closer to the reflective surface.) This positioning of optical centers results in the cameras sharing a virtual optical center located at position **90**. Virtual optical center **90** is located a distance X from the vertex **70** on a line that passes through vertex **70** and is perpendicular to base **50**.

FIG. **3** illustrates another view of pyramid **40** where only camera **54** is shown for the sake of simplicity. Camera **54** is positioned on line **72** so as to have a virtual optical center at position **90** within pyramid **40**. If camera **54** has a 90 degree field of view in the direction perpendicular to base **50**, and if the optical center of camera **54** is at a distance of X from vertex **70** along line **72**, camera **54** has a 90 degree view in the direction of arrow **62**. In similar fashion, cameras **56**, **58**, and **52** have 90 degree views in the direction of arrows **64**, **66**, and **60**, respectively. This arrangement inexpensively produces a 360 degree field of view of an area because cameras with a 90 degree field of view have relatively inexpensive optics.

FIG. **4** is a top view of pyramid **40**. FIG. **4** illustrates the placement of the optical center of camera **54** along line **72**. Line **72** should be in a plane that passing through vertex **70** and is parallel to base **50**. The line should also be perpendicular to base line **74** of pyramid **40**. The camera's optical center should be positioned a distance X from vertex **70** along line **72**. The distance X should be such that the reflective surface reflects as much of the camera's field of view as desired. Point **100** is located on base **50** at a position where a line from vertex **70** perpendicularly intersects base **50**. In a similar fashion, the optical centers of cameras **56**, **58** and **52** are positioned the distance X along lines **76**, **80** and **84**, respectively.

FIG. **5** illustrates an eight-sided pyramid **120**. Pyramid **120** has reflective surfaces **122** where each of surfaces **122** form a 45 degree angle with a plane that passes through vertex **130** and is parallel to base **124**. As with the four-sided pyramid of FIG. **2**, each reflective surface of FIG. **5** may have a camera associated with it. Each camera's optical center is positioned on a line that is in a plane that passes through vertex **130** and is parallel to base **124**. The line is perpendicular to base line **132** of the reflective surface associated with the camera to be positioned. Using an eight-sided pyramid offers the advantage of using cameras with only a 45 degree field of view to obtain a 360 degree view. Cameras with only a 45 degree field of view have inexpensive optics and enable a 360 degree view to be constructed using relatively inexpensive components.

FIG. **6** is a top view of pyramid **120**. As discussed with regard to FIG. **5**, each camera's optical center is positioned

along a line **134** which is in a plane that passes through vertex **130** and is parallel to base **124**. The optical centers are positioned a distance X along line **134** which is perpendicular to the appropriate base line **132**. Point **140** is on base **124** at the point of intersection between base **124** and a line that passes through vertex **130** and is perpendicular to base **124**.

Pyramids having more or less reflective sides may be used. The advantage of using pyramids having a large number of sides is that cameras with moderate to small fields of view may be used. Cameras with moderate fields of view have relatively inexpensive optics. The number of sides used in a pyramid is somewhat limited by the cost of providing a large number of cameras. A 360 degree view of a scene may be provided using a pyramid having three reflective sides. It may be expensive to use only a three-sided pyramid in order to provide a 360 degree field of view. This embodiment of the invention uses three cameras each with a 120 degree field of view, and cameras with such a wide field of view use relatively expensive optical components.

In applications where a full 360 degree view is not desired, it is possible to build a viewer that does not have a camera associated with each reflective surface of the pyramid.

FIG. **7** illustrates a block diagram of a system for controlling data produced by the cameras of a viewing device such as the viewing device described in FIGS. **2** through **4**. Cameras **52**, **54**, **56** and **58** obtain a 360 degree view of an area via their associated reflective surfaces of pyramid **40**. The image signal or output signal of cameras **52**, **54**, **56** and **58** are passed through analog to digital converters (A/D) **160**, **162**, **164**, and **166**, respectively. The output of the cameras can be thought of as a stream of pixels and the output of the A/Ds can be thought of as data representative of the pixels from the cameras. The output of the A/Ds are passed through mux **170**. Mux **170** allows the pixel data from each of the A/Ds to reach memory **172**. Controller **174** cycles the select lines of mux **170** so that the outputs of all of the A/Ds are stored in memory **172**. Mux **170** is switched at a rate that is four times the pixel rate of the cameras. If more or less cameras are used, the rate at which mux **170** is switched will be increased or slowed accordingly. It is also possible to eliminate mux **170** and to store the output of each A/D in a separate memory. Controller **174** is implemented using a microprocessor which provides control signals to counters that control the switching of mux **170** and counters used to provide addressing to memory **172**. The control signals to the counters include reset, enable and a starting offset.

As a result of the pixel information being passed to memory **172**, memory **172** contains a 360 degree view of a scene. Pixel information stored in memory **172** is passed through digital to analog converter (D/A) **176** and to video display **178**. The actual portion of memory **172** that is passed to video display **178** via D/A **176** is controlled via user input device **180**. User input device **180** may be a common device such as a mouse, joystick, or keyboard. The user may simply lean a joystick to the right to shift his view to the right, lean the joystick to the left to shift the view to the left, or leave the joystick in the center to keep the view unchanged. Based on the input from user device **180**, controller **174** varies offsets and starting addresses that are used to provide addressing to memory **172**.

FIG. **8** illustrates the relationship between the data representative of each pixel provided by the cameras and the view available to the user. Since the cameras share a virtual optical center, the view can be thought of as a cylindrical

view. Sector **200** can be thought of as representing the information provided by camera **52**, sector **202** can be thought of as representing the information provided by camera **54**, sector **204** can be thought of as representing the information provided by camera **56**, and sector **206** can be thought of as representing the information provided by camera **58**. The surface of the cylinder in each sector can be thought of as a collection of columns, where each column is composed of pixels. For example, sector **200** can be thought of as a collection of columns including columns **210**, **212**, **214** and **216**. Likewise, the output produced by camera **54** can be thought of as a collection of columns which include column **218** in sector **202** and the output of camera **58** can include columns such as column **220** in sector **206**. The column of pixels near the sector boundaries are closer together than the columns near the center of a sector. This occurs because the cameras capture the image on a plane while FIG. **8** shows the columns projected onto a cylindrical surface.

FIG. **9** illustrates how memory **172** is divided to provide easy access to different views based on signals from user input device **180**. Sections **230**, **232**, **234** and **236** correspond to sectors **206**, **200**, **202** and **204**, respectively. Each of sections **230**, **232**, **234** and **236** can be thought of as a block within memory **172**. The blocks in memory **172** are broken into columns of sequential addresses. The first column of memory segment **230** corresponds to the first column of pixels of sector **206**. The number of memory positions associated with a column should be at least sufficient to have one location for each pixel in a particular column. For example, if a column of pixels from FIG. **8** includes 1000 pixels, each column associated with the memory segments of FIG. **9** should have at least 1000 locations. The number of columns associated with a particular memory segment should be at least equal to the number of columns associated with a particular section of the cylinder of FIG. **8**. For example, if a camera uses 1000 pixels in a horizontal scan there should be at least 1000 columns in a particular section of the cylinder of FIG. **8**. As a result, there should be at least 1000 columns for each memory segment of FIG. **9**. If each camera has a 1000 pixel by 1000 pixel scan, each segment of memory illustrated in FIG. **9** should have 1000 columns that are 1000 locations deep.

If a camera scans in a horizontal direction, sequential pixels are written in adjacent columns of a particular memory segment by simply changing an offset to a counter generated address. The overall write address is generated by adding the offset to the counter's output. This offset is changed at the rate in which the horizontally scanned pixels are received. After a horizontal scan is completed, the counter is incremented and once again the offsets are cycled at the horizontal scan rate. As a result, when addressing a particular segment of memory during a write cycle, the columns are addressed by changing the offset at the horizontal pixel scan rate, and incrementing the counter at the vertical scan rate. This type of addressing scheme is used for accessing columns within each memory segment. When addressing different memory segments during a write cycle, a write segment offset is added to the sum of the counter output and the column offset. The write segment offset permits addressing memory segments **230**, **232**, **234**, and **236**. The segment offset is changed at the same rate as mux **170** is switched.

Pixel data is read from memory **172** in a similar fashion. The sum of a counter output and two sets of offsets are used to generate a read address. Once an initial starting column has been picked, the read address is generated by switching

a read column offset at a rate that is equal to the horizontal scan rate of a video display. After reading one horizontal scans worth of data, the read counter is incremented and the read column offsets are cycled at a rate equal to the horizontal scan rate of the display. As a result, the offset addresses are cycling at the display's horizontal display rate and the counter is incremented at a rate equal to the vertical scan rate of a display. It is possible to read data out at a rate faster or slower than required by the video display; however, if read out faster, a buffer memory should be used, if read out slower the video display may appear choppy to the viewer.

It should be noted that the cylindrical arrangement of pixels of FIG. **8** is typically displayed on a flat or nearly flat display. As a result, the image is displayed by compensating for converting between a cylindrical surface and a flat surface. This may be carried out using a simple conversion algorithm within a common digital signal processing integrated circuit. Methods for these types of conversions are well known in the art and can be found in "A Guided Tour of Computer Vision, Vishvjit S. Nalwa, Addison-Wesley Publishing Co., Reading, Mass., 1993". It is also possible to carry out the conversion using a very high resolution display. For example, if the display has 1000 columns of pixels and the view only contains 100 columns of pixels, columns near the sector boundaries of FIG. **8** can be assigned 5 display columns while columns near the sector centers of FIG. **8** can be assigned 15 display columns.

It should be noted that if the view selected by a user corresponds exactly to the view of a particular camera, such as camera **52**, columns **240-248** are read from memory **170**. Column **240** is the first column in segment **232** and column **248** is the last column in segment **232**. If the user decides to move the view in a counter-clockwise direction, the start column will shift to the right so that the read operation begins at column **246** and ends at column **250**. It should be noted that column **246** is the second column associated with memory segment **232** which has the pixel data from camera **52**, and that column **250** is the first column of pixel data associated with camera **56**. As the user shifts the view, the starting column shifts in relationship to the user's commands. For example, if the user indicates that the view should shift in a counter-clockwise direction, the start column of FIG. **9** moves to the right, similarly, if the viewer indicates that the view should shift in a clockwise direction, the start column shifts to the left. As before, columns are addressed by using offsets, if the offsets involve moving between memory segments, a read segment offset is added to the sum of the column offset and counter output.

It should be recalled that the columns near the sector boundaries of FIG. **8** are closer together. As a result, when the user commands a change in a view and when the border of that view is near a sector boundary, the start column changes by a larger number of columns for a given angular rotation of the view. Conversely, when the border of the view is near the center of the sector, the start column changes by a smaller number of columns for a given angular rotation.

FIG. **10** illustrates a block diagram of controller **174**. Controller **174** includes microprocessor **270** and memory **272**. Memory **272** includes RAM and ROM. Processor **270** receives commands on line **274** from user input device **180**. Microprocessor **270** controls start, stop and reset of counter **276**. Counter **276** controls the select lines of mux **170**. Counter **276** counts at a rate that is four times the horizontal scan rate of the cameras. Write address generator **278** provides write addressing for memory **172**. Write address generator **278** includes a counter, register for storing offsets

and adder for adding the offsets and counter output. Microprocessor 270 controls the offset selection and the counters used by write address generator 278. The write addresses are formed as described with regard to FIG. 9. Read address generator 280 provides read addresses to memory 172. Read address generator 280 includes a counter, register for storing offsets and adder for adding the offsets and counter output. As with write address generator 278, microprocessor 270 controls the offset selection and the counters of read address generator 280. Microprocessor 270 also controls the starting column used by the counters based on inputs provided on line 274 from user input 180.

The write and read addresses are provided to memory 172 separately if memory 172 is implemented using a two port memory. If memory 172 is implemented with a single port memory, the write and read addresses are multiplexed to memory 172.

FIG. 11 illustrates an embodiment where a panoramic viewer is used to provide views to several users over a communications network. In this embodiment, all of the columns of pixel data are read from memory 172 and placed on bus 300. Buffer memories 302, 304, 306 and 308 receive the data from bus 300. The buffer memories are enabled only when desired columns are available on bus 300. The buffer memories then pass their information to modems 310, 312, 314 and 316, which then provide the pixel data to telecommunications network 318. Telecommunications network 318 then delivers the information from the modems to the users. In one example, a user receives information from modem 316 using modem 320. Modem 320 then provides the pixel information that was in memory 308 to a local video memory 322. Video memory provides the pixel information to display 324 for viewing. The user at this location controls the view using user input device 326 which may be a device such as a mouse, keyboard or joystick. Modem 320 transmits the user input device signals over telecommunications network 318 to modem 316 which then provides the signals to enable controller 330. Enable controller 330 receives a signal from controller 174 that indicates which column is being read from memory 172. When the appropriate column is available, the enable controller 330 enables each of the buffer memories to receive the columns of data specified by the user input device signals received over the communication network. As discussed with regard to FIG. 9, enable controller 330 simply moves the start column based on signals from the user input device. In this embodiment, enable controller 330 enables the input to the buffer memory when the pixel data from the start column is on bus 300. Enable controller 330 disables the input to the buffer memory when the total number of columns of pixels to be viewed are provided to the buffer memory. FIG. 11 illustrates a system where four users can individually control their viewing; however, more users may be accommodated by simply increasing the number of buffer memories, modems, and ports on enable controller 330.

FIG. 12 illustrates another embodiment in which multiple viewers can use the panoramic viewer. As the pixel data is read from memory 172, all of the data is passed over telecommunications network 318 to telecommunications bridge 350. The information from memory 172 is provided to bridge 350 via modem 344; however, the data may be passed to bridge 350 without use of modem 344 if a digital connection is made between memory 172 and bridge 350. Bridge 350 then distributes all of the data received from memory 172 to each user in communication with bridge 350. If bridge 350 provides analog link to users, a modem should be used at each user port. If the bridge has a digital link to

the user ports, a modem is not required. In the case of an analog link, the data from memory 172 passes from modem 344 via bridge 350 to modem 360 at a user port. Modem 360 passes the pixel data to video memory 362. Video memory 362 then passes the pixel information to video display 364 under control of a user via user input device 366. User input device may be a mouse, joystick or computer keyboard. In this embodiment, the entire contents of memory 172 is fed to video memory 362. The data read from memory 362 and passed to video display 364 is controlled using user input device 366 in a fashion similar to that which was described with regard to FIG. 9.

I claim:

1. A panoramic viewing system, comprising:
 - a plurality of image gathering devices producing a plurality of video signals, each of said plurality of image gathering devices having an optical center;
 - a pyramid shaped element having a plurality of reflective side facets facing in different directions so as to reflect images from different directions to said plurality of image gathering devices and to create a virtual optical center for each of said optical centers, each of said plurality of facets reflecting an image to an image gathering device belonging to said plurality of image gathering devices and each of said virtual optical centers being substantially at a common point;
 - a memory for storing digitized video data representative of said video signals; and
 - control means for selectively retrieving digitized video data from said memory in response to user signals produced in response to a user's input.
2. The panoramic viewing system of claim 1, further comprising a display for displaying an image representative of digitized video data retrieved from said memory.
3. The panoramic viewing system of claim 1, further comprising a user input device for producing said user signals.
4. The panoramic viewing system of claim 3, wherein said user input device is a mouse.
5. The panoramic viewing system of claim 3, wherein said user input device is a joystick.
6. The panoramic viewing system of claim 3, wherein said user input device is a keyboard.
7. The panoramic viewing system of claim 1, wherein digitized video data retrieved from said memory is representative of a partial image from a first image gathering device and a partial image from a second image gathering device, said first and second image gathering devices belonging to said plurality of image gathering devices.
8. A panoramic viewing system, comprising:
 - a plurality of image gathering devices producing a plurality of video signals, each of said plurality of image gathering devices having an optical center;
 - a pyramid shaped element having a plurality of reflective side facets facing in different directions so as to reflect images from different directions to said plurality of image gathering devices and to create a virtual optical center for each of said optical centers, each of said plurality of facets reflecting an image to an image gathering device belonging to said plurality of image gathering devices and each of said virtual optical centers being substantially at a common point;
 - a memory for storing digitized video data representative of said video signals;
 - control means for selectively retrieving digitized video data from said memory in response to user signals produced in response to a user's input; and

9

communication network interface means for transmitting digitized video data retrieved from said memory over a communications network and for receiving said user signals over said communications network.

9. The panoramic viewing system of claim **8**, wherein said communication network interface means is a modem. 5

10. The panoramic viewing system of claim **8**, wherein digitized video data retrieved from said memory is representative of a partial image from a first image gathering device and a partial image from a second image gathering device, said first and second image gathering devices belonging to said plurality of image gathering devices. 10

11. A method for providing panoramic viewing to a remote user, comprising the steps of:

producing a plurality of video signals using a plurality of image gathering devices, each of said plurality of image gathering devices having an optical center; 15

providing each of said plurality of image gathering devices with an image using a pyramid shaped element having a plurality of reflective side facets facing in different directions so as to reflect images from different directions to said plurality of image gathering 20

10

devices and to create a virtual optical center for each of said optical centers, each of said virtual optical centers being substantially at a common point;

storing digitized video data representative of said video signals in a memory;

selectively retrieving digitized video data from said memory in response to user signals produced in response to a user's input and received over a communications network; and

transmitting digitized video data retrieved from said memory representative of said video signals over said communications network.

12. The method of claim **11**, wherein the step of selectively retrieving digitized video data from said memory comprises retrieving data representative of a partial image from a first image gathering device and retrieving data representative of a partial image from a second image gathering device, said first and second image gathering devices belonging to said plurality of image gathering devices.

* * * * *